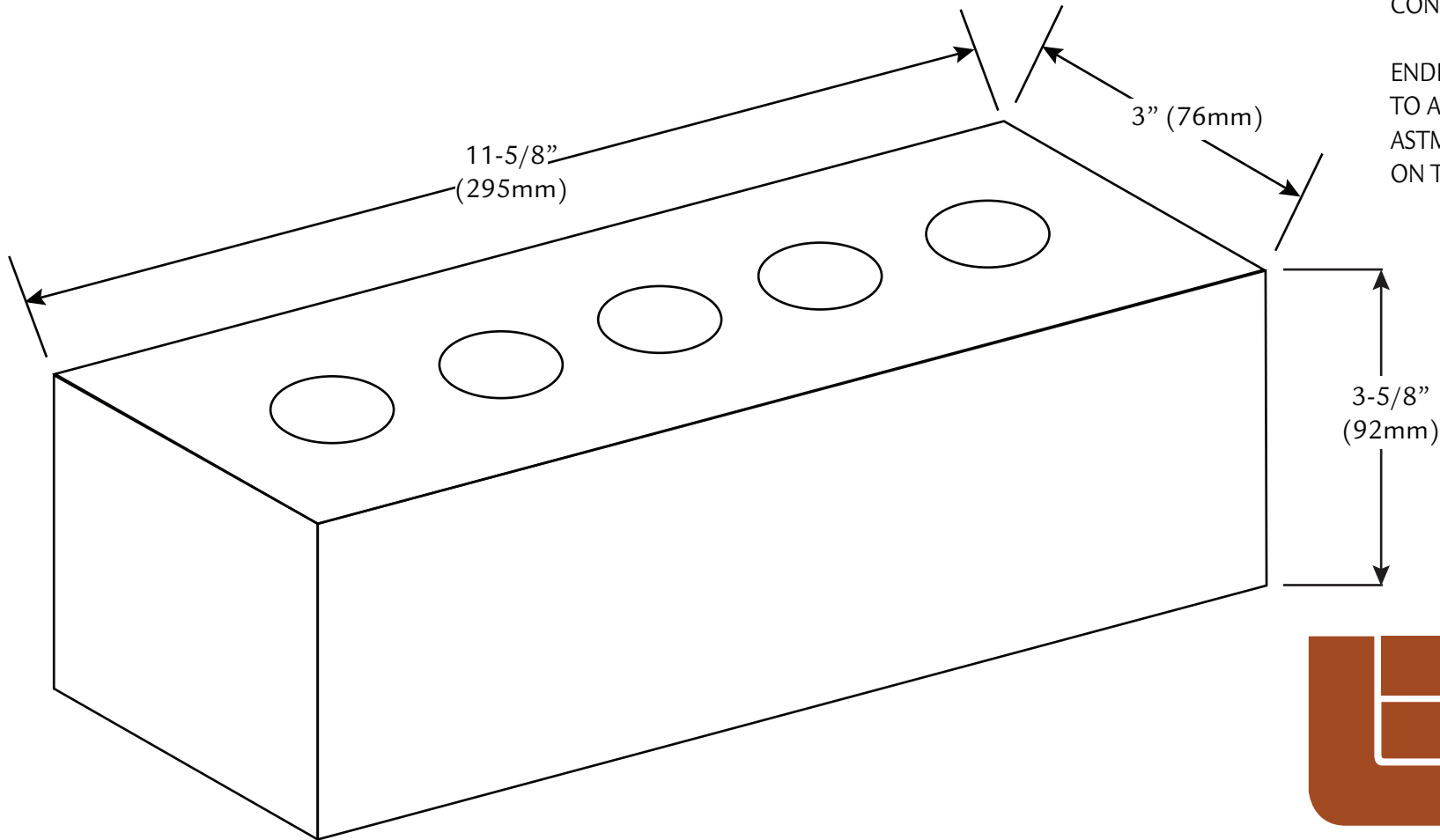


3" UTILITY BRICK



NOT ALL PRODUCTS ARE AVAILABLE IN ALL COLORS AND/OR SIZE. PLEASE CONTACT ENDICOTT FOR AVAILABILITY.

ENDICOTT 3" UTILITY BRICKS CONFORM TO ASTM C216 SPECIFICATIONS. ASTM TYPE AND GRADE ARE DEPENDENT ON TEXTURE AND OTHER FACTORS.

