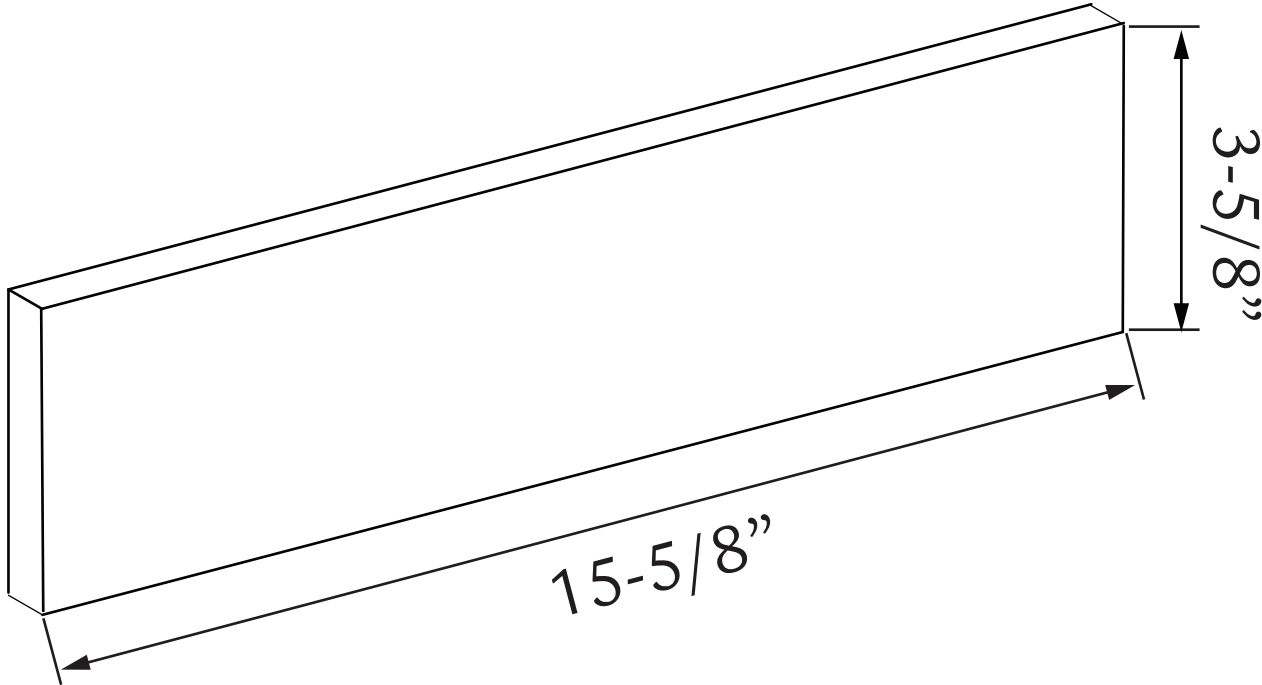


3-5/8" MERIDIAN



NOT ALL PRODUCTS ARE AVAILABLE IN ALL COLORS AND/OR SIZE. PLEASE CONTACT ENDICOTT FOR AVAILABILITY.

ENDICOTT 3-5/8" MERIDIAN THIN BRICKS CONFORM TO ASTM C1088 SPECIFICATIONS. ASTM TYPE AND GRADE ARE DEPENDENT ON TEXTURE AND OTHER FACTORS.

