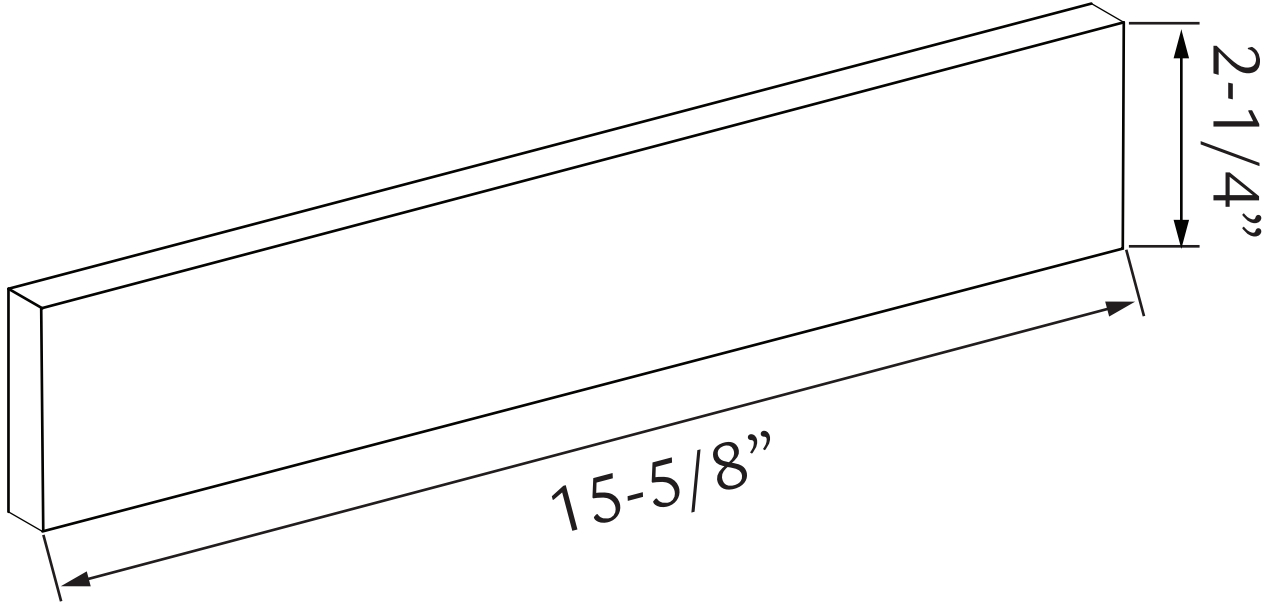


# 2-1/4" MERIDIAN



NOT ALL PRODUCTS ARE AVAILABLE IN ALL COLORS AND/OR SIZE. PLEASE CONTACT ENDICOTT FOR AVAILABILITY.

ENDICOTT 2-1/4" MERIDIAN THIN BRICKS CONFORM TO ASTM C1088 SPECIFICATIONS. ASTM TYPE AND GRADE ARE DEPENDENT ON TEXTURE AND OTHER FACTORS.

