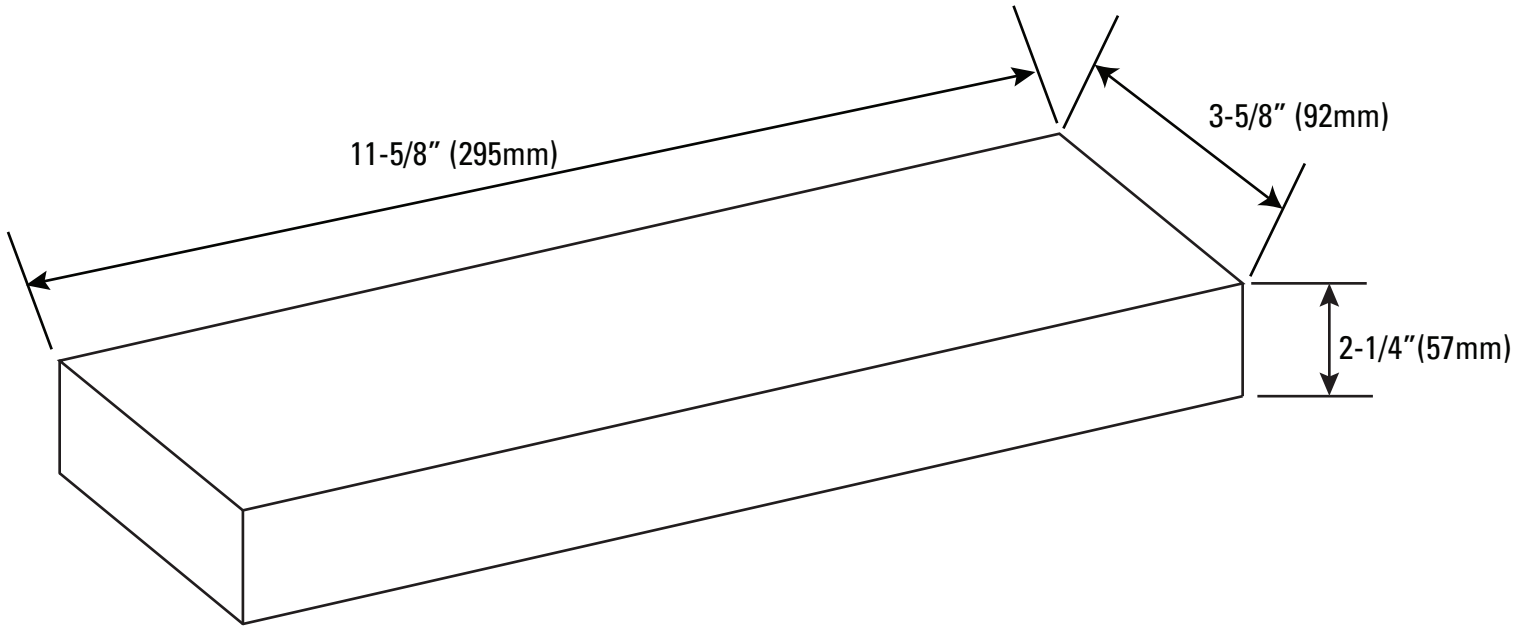


# 2-1/4" X 3-5/8" X 11-5/8" PAVER



NOT ALL PRODUCTS ARE AVAILABLE IN ALL COLORS AND/OR SIZE. PLEASE CONTACT ENDICOTT FOR AVAILABILITY.

ENDICOTT 2-1/4" X 3-5/8" X 11-5/8" PAVERS CONFORM TO ASTM C902 SPECIFICATIONS.

