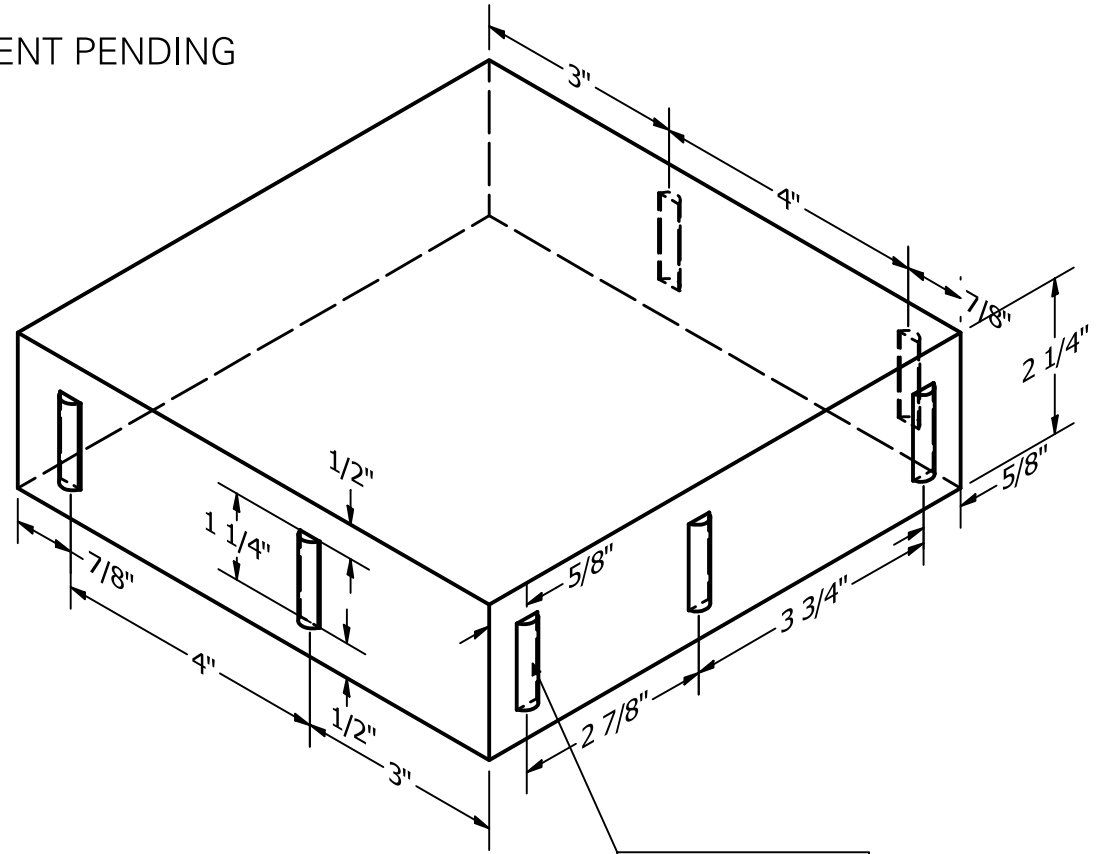
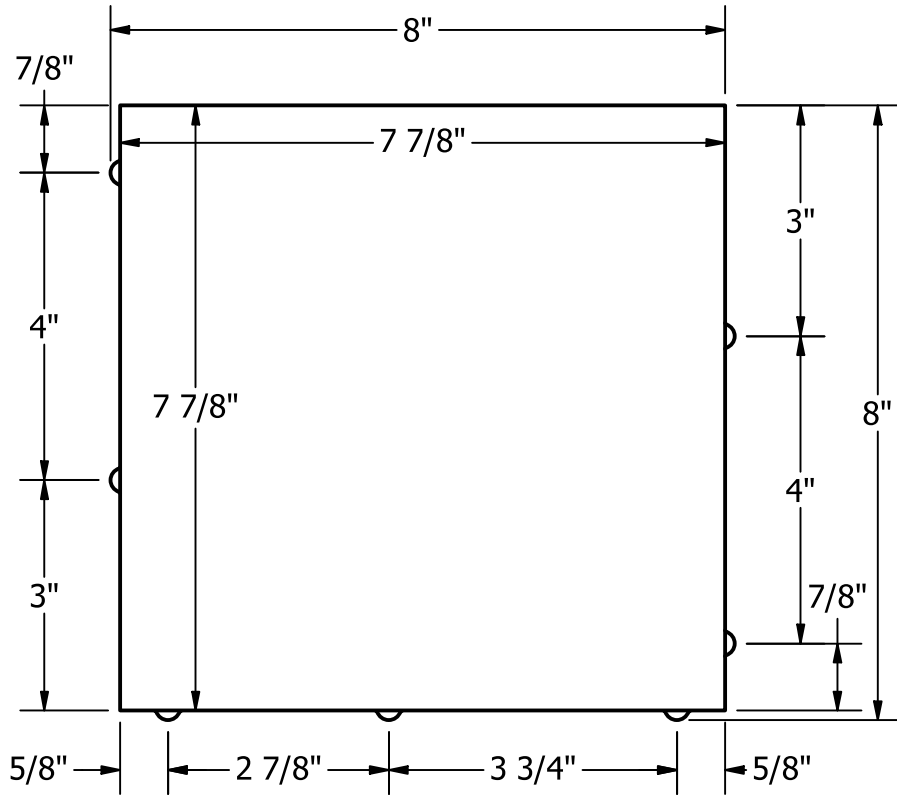


2-1/4" X 8" X 8" INVISI-LUG™ PAVER

PATENT PENDING



Lug x 7
5/16" @ Base
1/8" Deep

NOT ALL PRODUCTS ARE AVAILABLE IN ALL COLORS AND/OR SIZE. PLEASE CONTACT ENDICOTT FOR AVAILABILITY.

ENDICOTT INVISI-LUG™ PAVERS CONFORM TO ASTM C902 SPECIFICATIONS.

