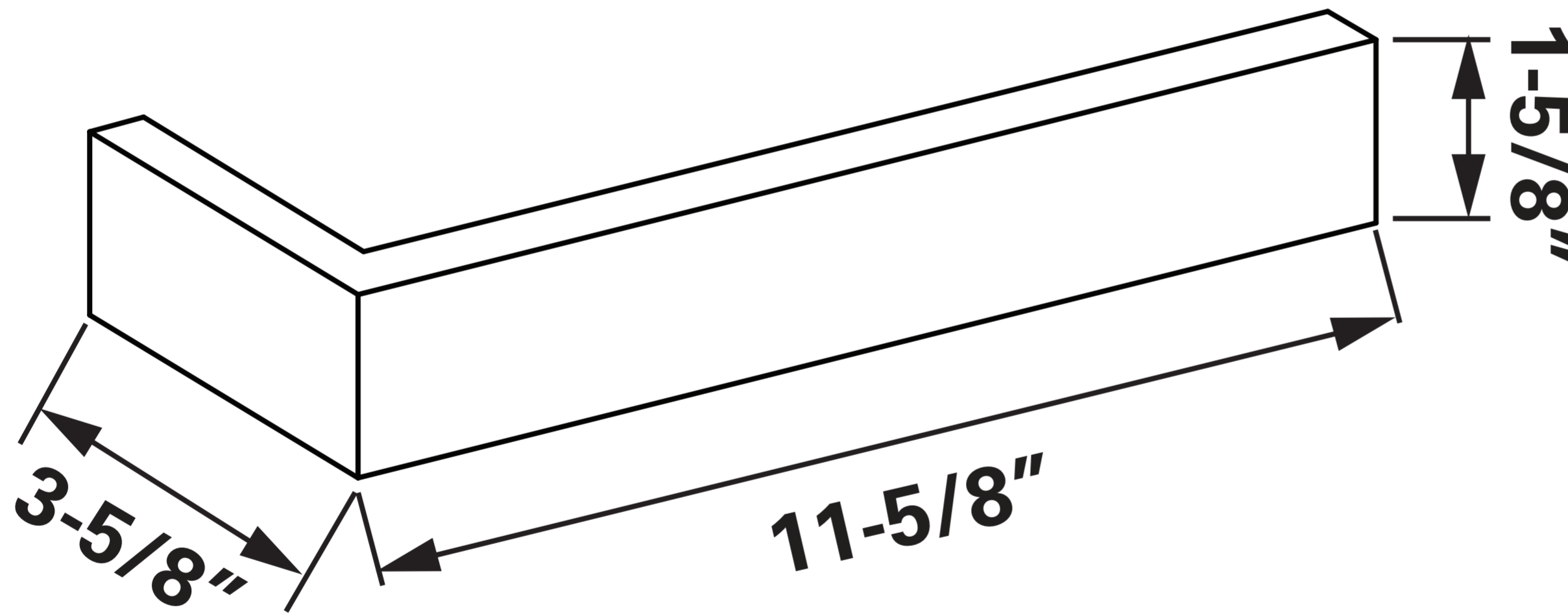


NOTES:

1. NOT ALL PRODUCTS ARE AVAILABLE IN ALL COLORS AND/OR SIZES. PLEASE CONTACT ENDICOTT FOR AVAILABILITY.
2. ENDICOTT BC1-5/8" 412 BRICK CORNERS CONFORM TO ASTM C1088 OR PCI DEPENDING ON THE SPECIFICATIONS. ASTM TYPE AND GRADE ARE DEPENDENT ON TEXTURE AND OTHER FACTORS.
3. AVAILABLE IN 1" THICKNESS ONLY.



## BRICK CORNER BC1-5/8" 412