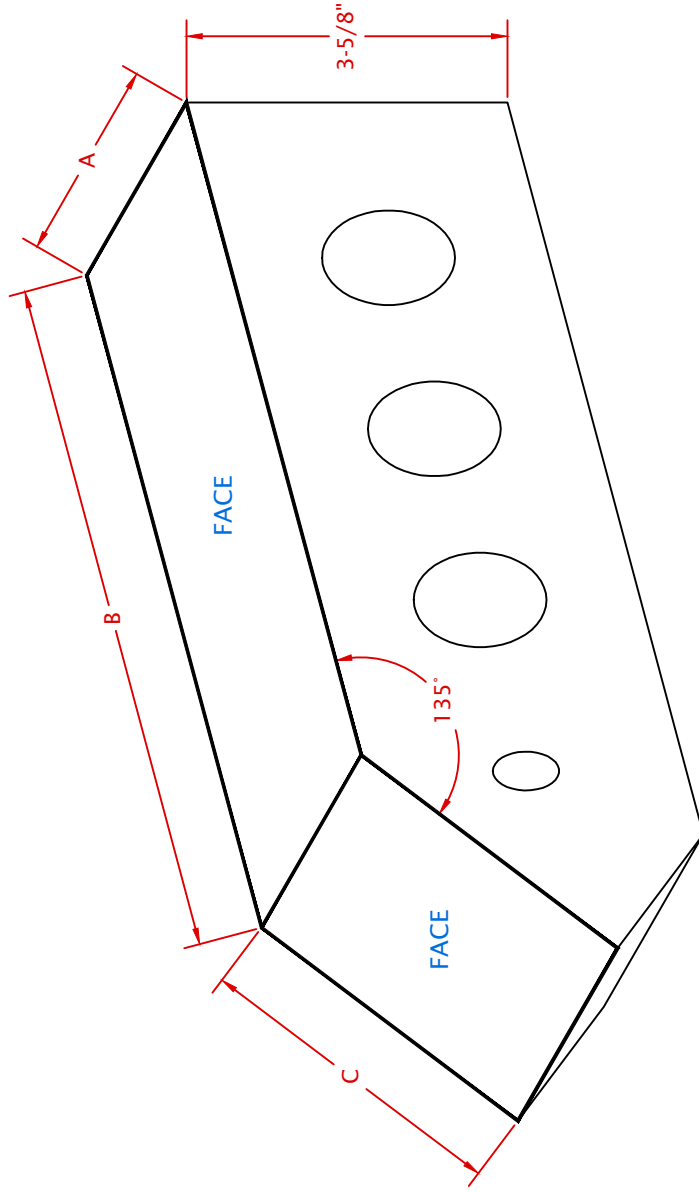




SHAPES



135° External Flatback Corner



Dimensions Available

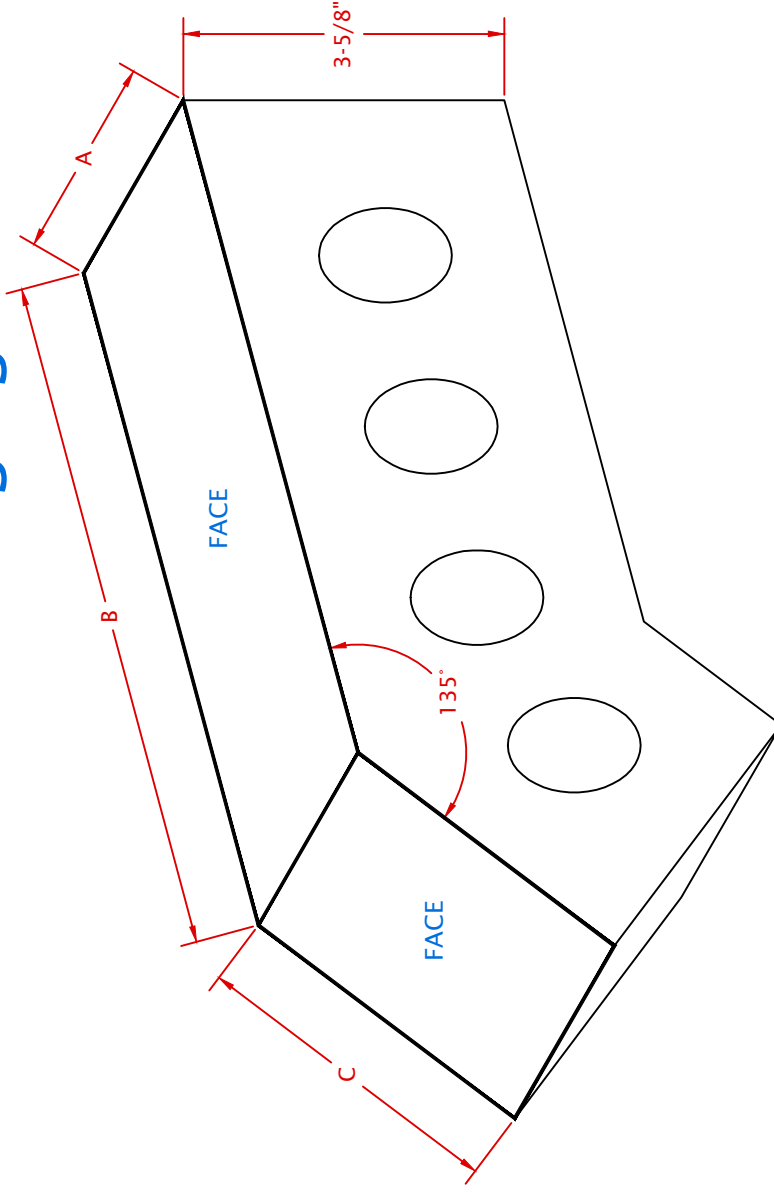
- A - 2-1/4", 2-5/8", 2-13/16", 3-5/8", 7-5/8"
- B - 5-5/8", 6-5/8", 7-5/8"
- C - 1-5/8", 2-5/8", 3-5/8"

Coring May Vary

	QUANTITY
	DATE
	JOB
	DISTRIBUTOR

ENDICOTT™ CLAY PRODUCTS

135° External Dogleg Corner



Dimensions Available

A - 2-1/4", 2-5/8", 2-13/16", 3-5/8", 7-5/8"

B - 5-5/8", 6-5/8", 7-5/8"

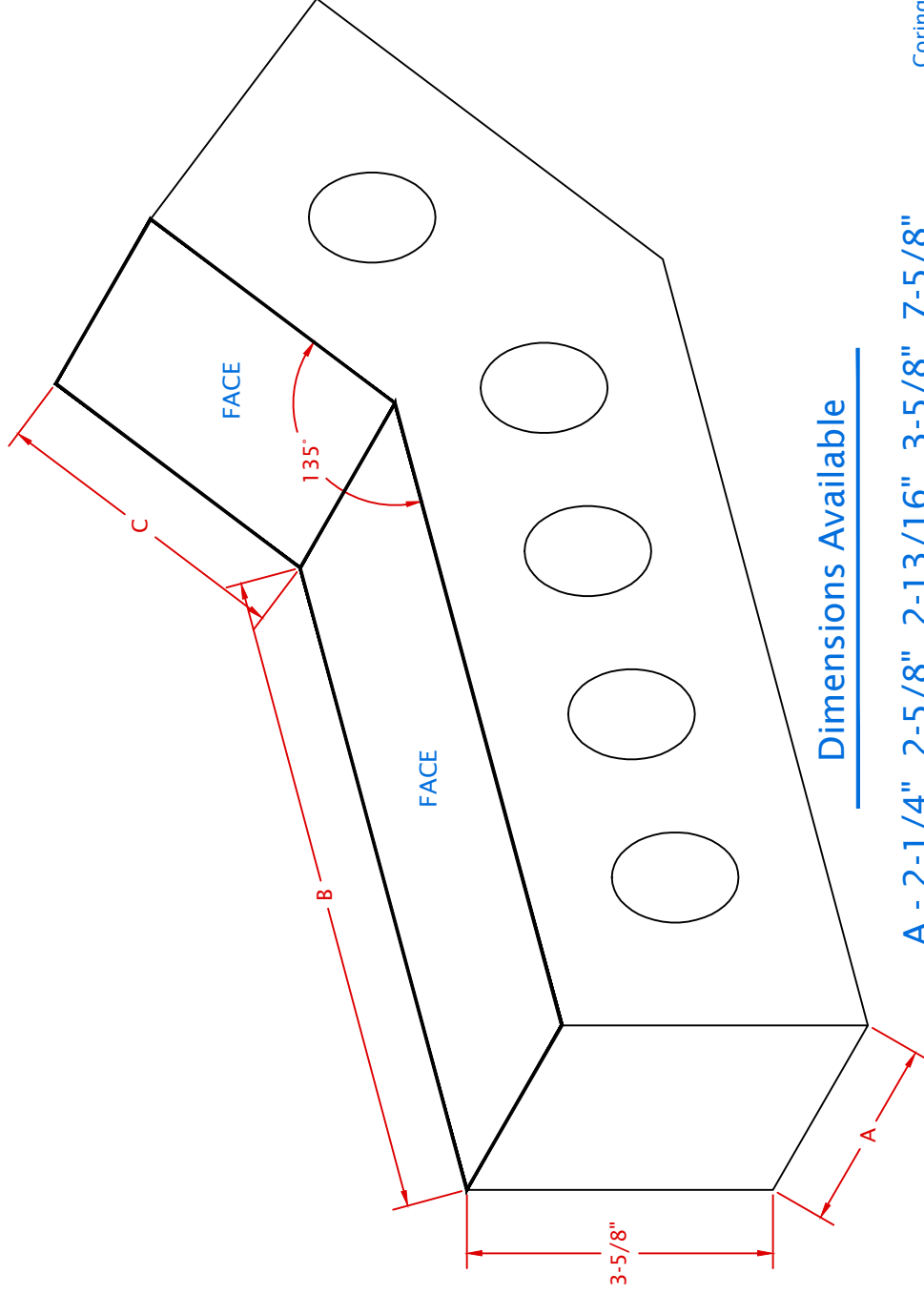
C - 1-5/8", 2-5/8", 3-5/8"

Coring May Vary

E	COLOR	QUANTITY
	TEXTURE	DATE
	JOB	
	DISTRIBUTOR	

ENDICOTT™ CLAY PRODUCTS

135° Internal Dogleg Corner



Dimensions Available

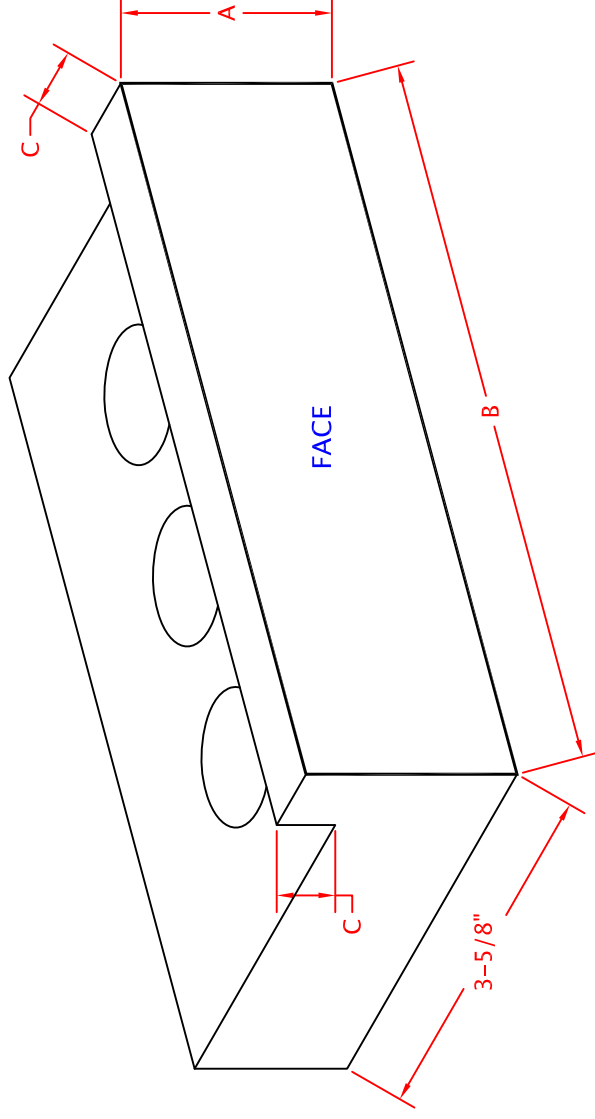
- A - 2-1/4", 2-5/8", 2-13/16", 3-5/8", 7-5/8"
- B - 5-5/8", 6-5/8", 7-5/8"
- C - 1-5/8", 2-5/8", 3-5/8"

Coring May Vary

	QUANTITY
	DATE
	JOB
	DISTRIBUTOR

ENDICOTT™ CLAY PRODUCTS

Lip Stretcher



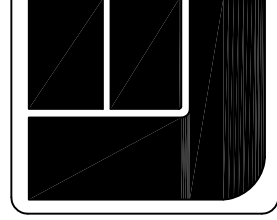
Dimensions Available

A - 2-1/4", 2-13/16", 3-5/8", 5-5/8", 7-5/8"

B - 7-5/8", 11-5/8"

C - Customers choice (if not specified, will be made at 5/8")

Coring May Vary



COLOR

QUANTITY

TEXTURE

DATE

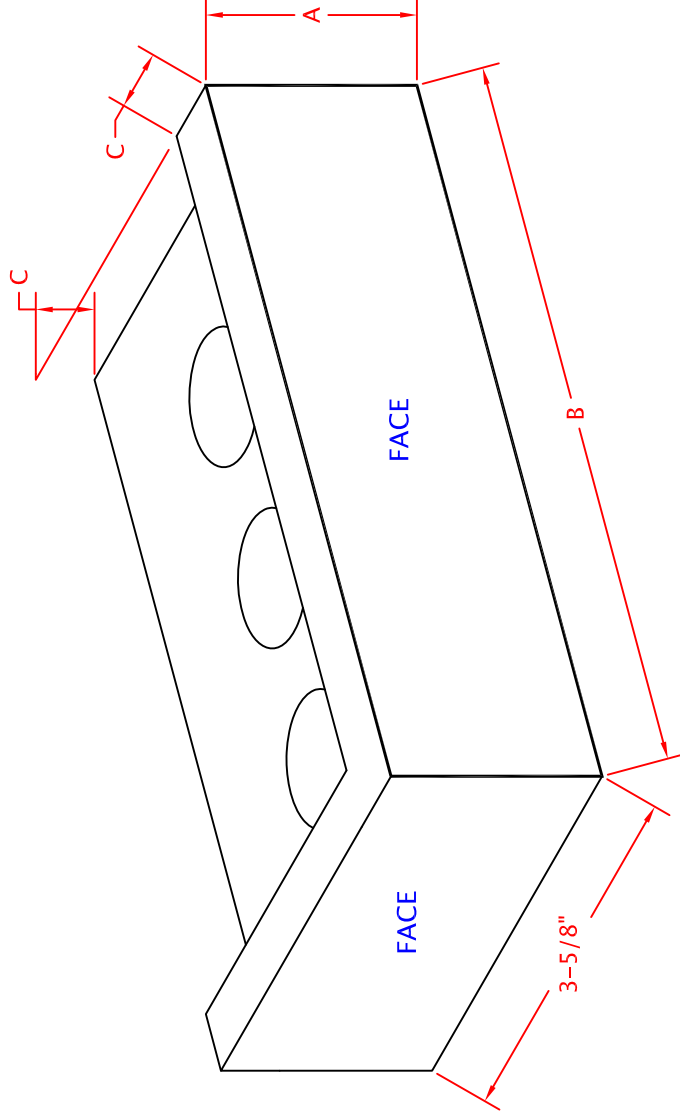
JOB

DISTRIBUTOR

ENDICOTTTM

CLAY PRODUCTS


Lip Stretcher Left Corner



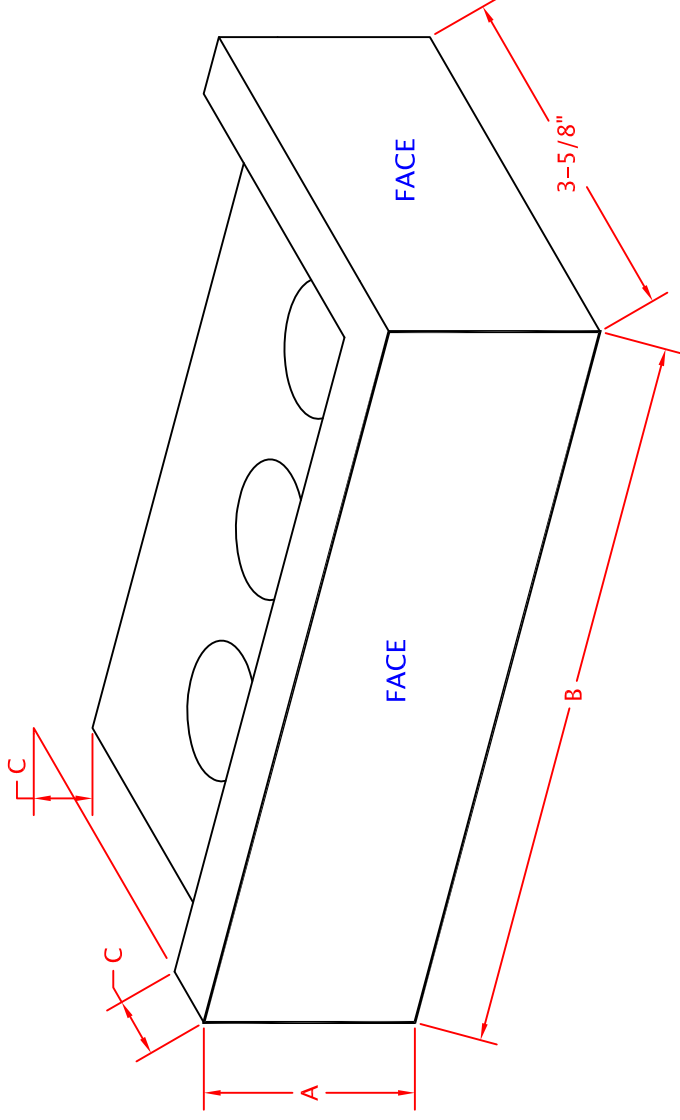
Dimensions Available

- A - 2-1/4", 2-13/16", 3-5/8", 5-5/8", 7-5/8"
- B - 7-5/8", 11-5/8"
- C - Customers choice (if not specified, will be made at 5/8")

Coring May Vary

	QUANTITY
	DATE
COLOR	DISTRIBUTOR
TEXTURE	JOB
ENDICOTT™ CLAY PRODUCTS	

Lip Stretcher Right Corner





Dimensions Available

A - 2-1/4", 2-13/16", 3-5/8", 5-5/8", 7-5/8"

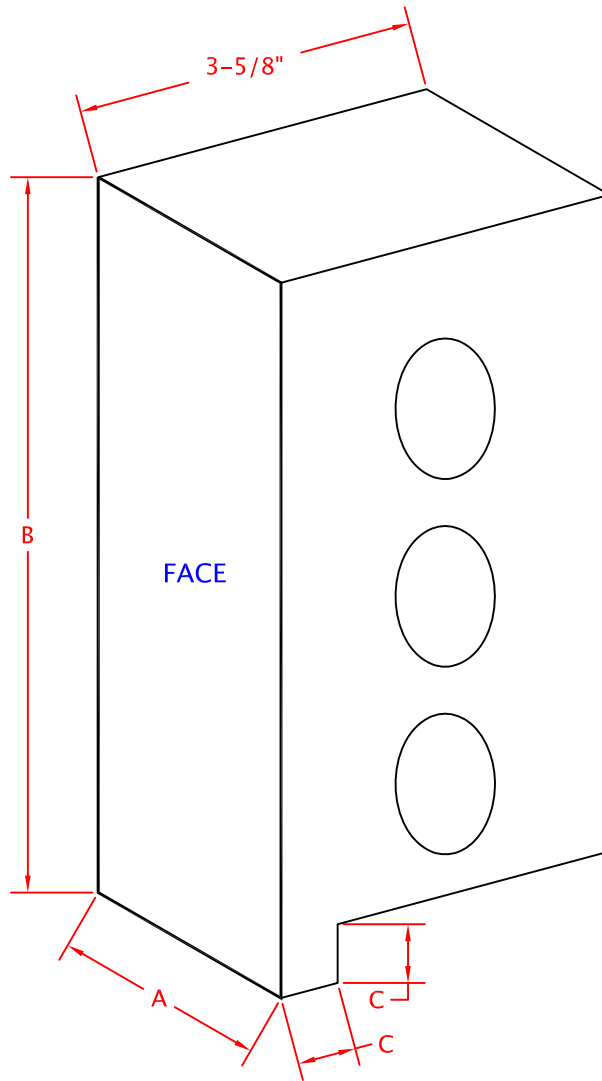
B - 7-5/8", 11-5/8"

C - Customers choice (if not specified, will be made at 5/8")

Coring May Vary

	COLOR	QUANTITY
	TEXTURE	DATE
	JOB	DISTRIBUTOR
		CLAY PRODUCTS

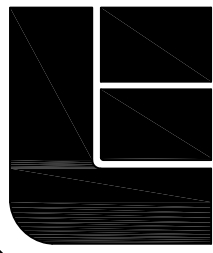
Lip Soldier



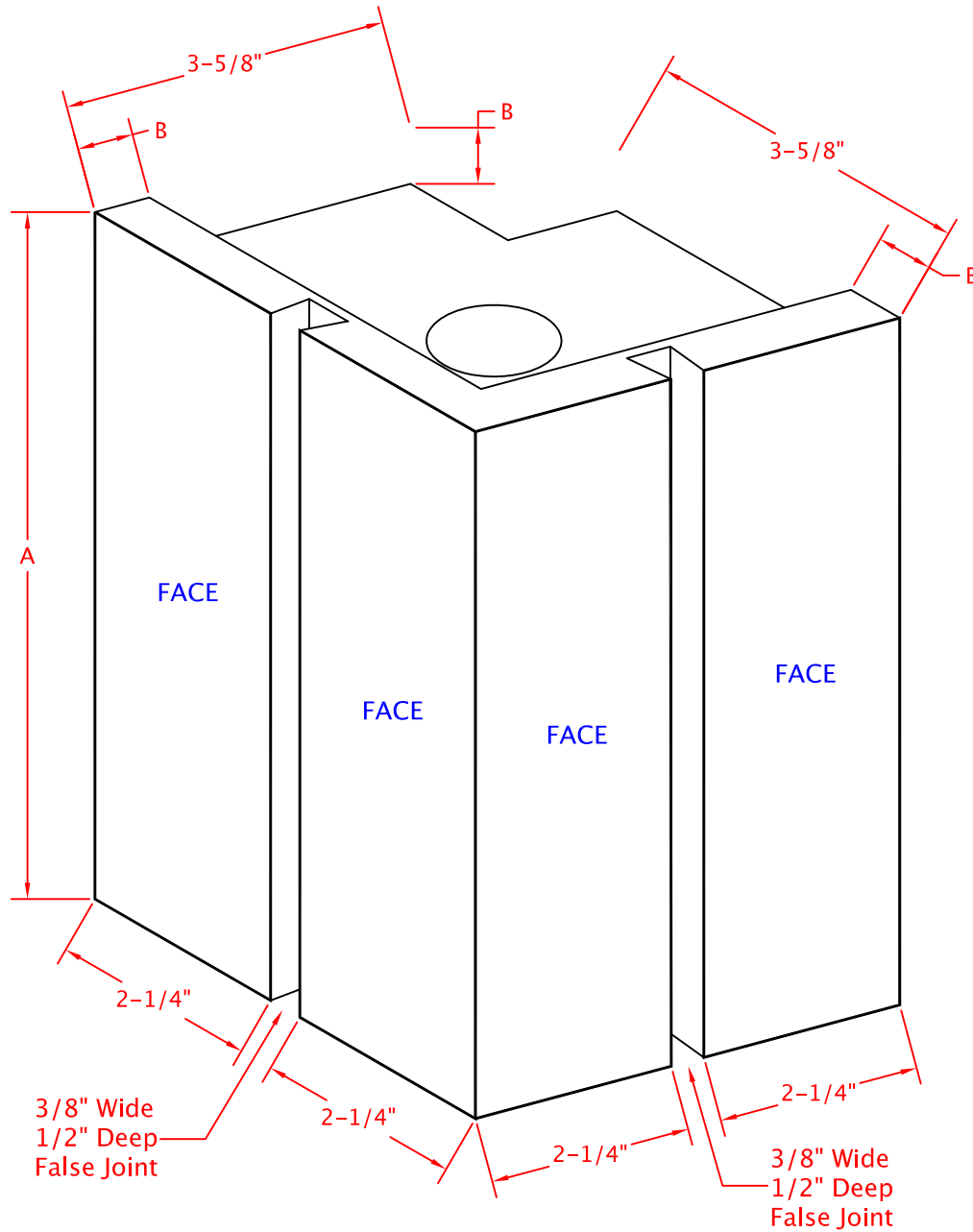
Dimensions Available

- A - 2-1/4", 2-13/16", 3-5/8", 7-5/8"
- B - 7-5/8", 11-5/8"
- C - Customers choice (if not specified, will be made at 5/8")

Coring May Vary

	COLOR	QUANTITY
	TEXTURE	DATE
	JOB	
	DISTRIBUTOR	
ENDICOTT™ CLAY PRODUCTS		

Soldier Lip Corner

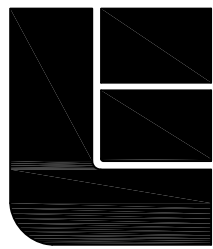


Dimensions Available

A – 7-5/8", 11-5/8"

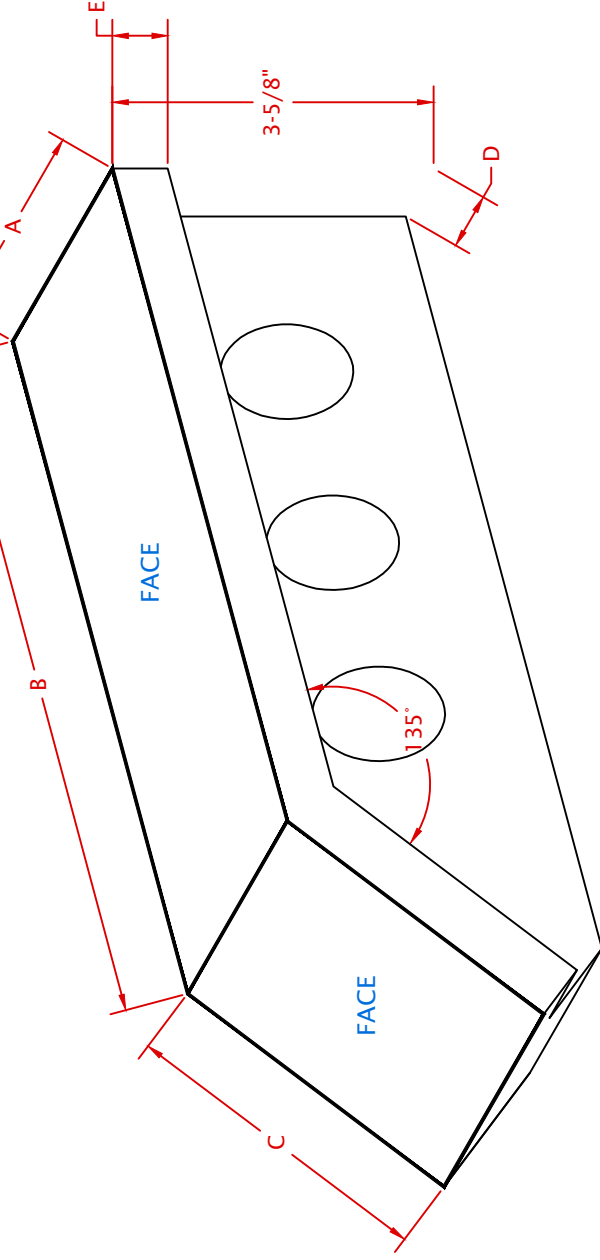
B – Customers Choice (if not specified,
will be made at 5/8")

Coring May Vary

	COLOR	QUANTITY
	TEXTURE	DATE
	JOB	
	DISTRIBUTOR	

ENDICOTT™ CLAY PRODUCTS

135° External Flatback Lip Corner



Dimensions Available

A - 2-1/4", 2-5/8", 2-13/16", 3-5/8", 7-5/8"


B - 5-5/8", 6-5/8", 7-5/8"

C - 1-5/8", 2-5/8", 3-5/8"

D - Customer's choice (if not specified, will be made at 5/8")

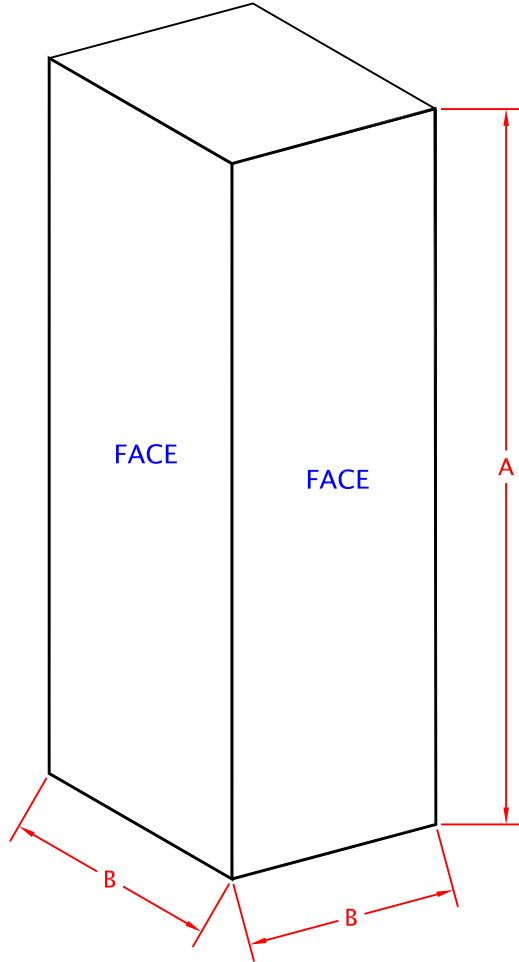
E - Customer's choice (if not specified, will be made at 5/8")

Coring May Vary

	QUANTITY
	DATE
	JOB
	DISTRIBUTOR

ENDICOTT™ CLAY PRODUCTS

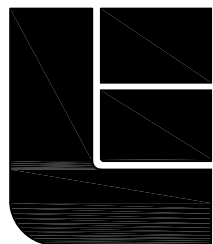
Soldier Corner



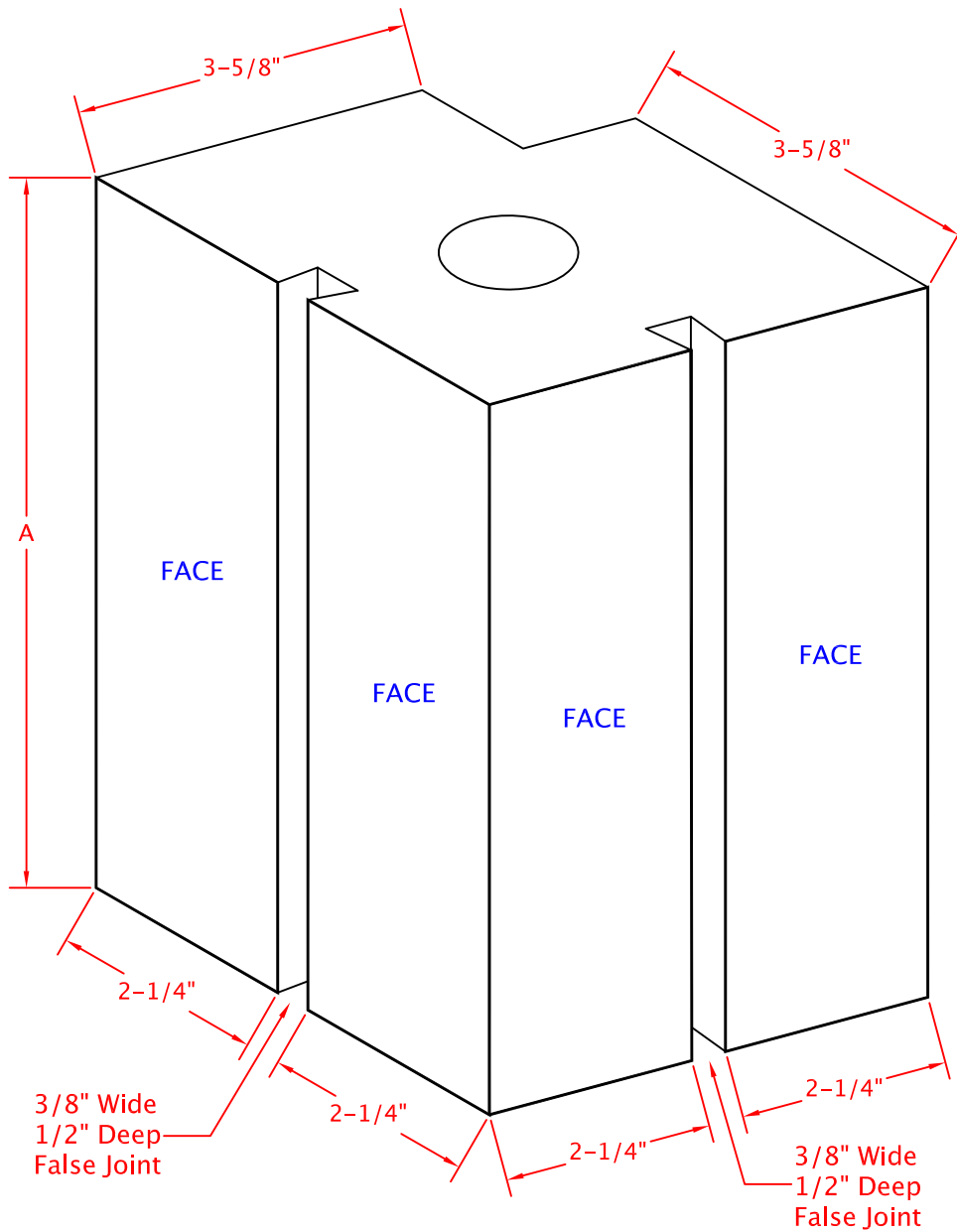
Dimensions Available

A – 7-5/8", 9-5/8", 11-5/8"
B – 2-1/4", 2-5/8", 2-13/16", 3-5/8"

Coring May Vary

	COLOR	QUANTITY
	TEXTURE	DATE
	JOB	
	DISTRIBUTOR	
ENDICOTT™ CLAY PRODUCTS		

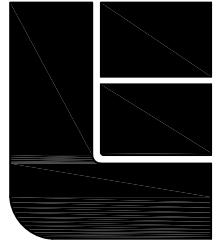
Soldier Corner



Dimensions Available

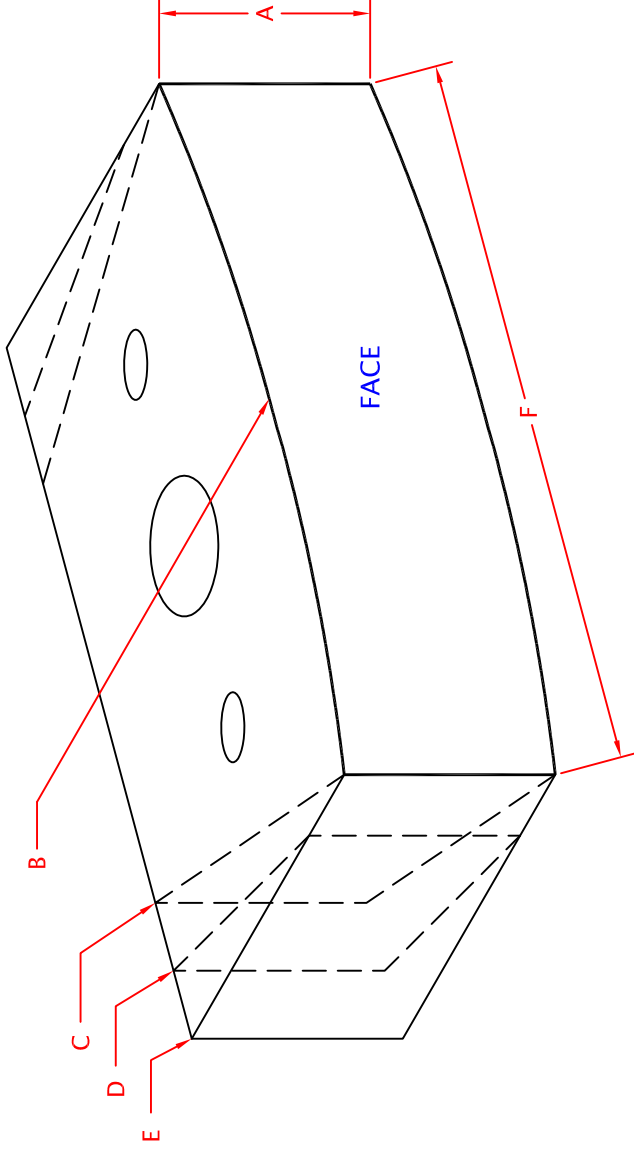
$A - 7\text{-}5/8", 11\text{-}5/8"$

Coring May Vary

	COLOR	QUANTITY
	TEXTURE	DATE
	JOB	
	DISTRIBUTOR	

ENDICOTT™ CLAY PRODUCTS

Modular Radial Stretcher

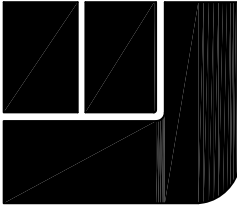


Dimensions Available

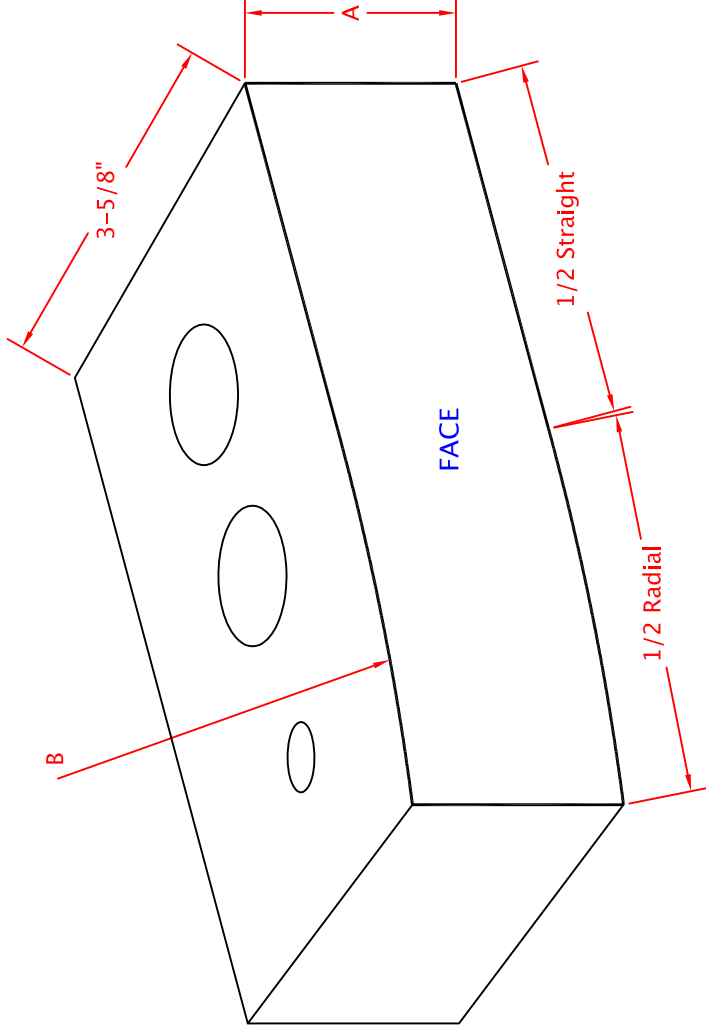
- A - 2-1/4", 2-13/16", 3-5/8", 7-5/8"
- B - Customers choice
- C - 4' or less radius requires slanted ends and radial starters
- D - 4' to 6' radius requires chamfered ends
- E - 6' to 8' radius will be manufactured with square ends*
- F - Length dependent on radius and number of units desired per course

* 8' or above radius requires no radial

Coring May Vary

	COLOR	QUANTITY
	TEXTURE	DATE
JOB		DISTRIBUTOR
ENDICOTT™ CLAY PRODUCTS <small>P.O. Box 17 Fairbury, NE USA 68352 402/729-3315 FAX: 402/729-5804 Email: endicott@endicott.com www.endicott.com</small>		

Radial Starter



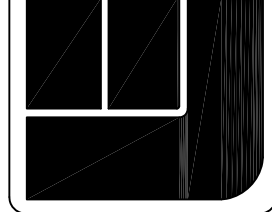
Dimensions Available

A - 2-1/4", 2-13/16", 3-5/8", 5-5/8", 7-5/8"

B - Radius to match radial stretcher

Radial starters required on 6' or less on normals and 4' or less on modulares

Coring May Vary



COLOR

QUANTITY

TEXTURE

DATE

JOB

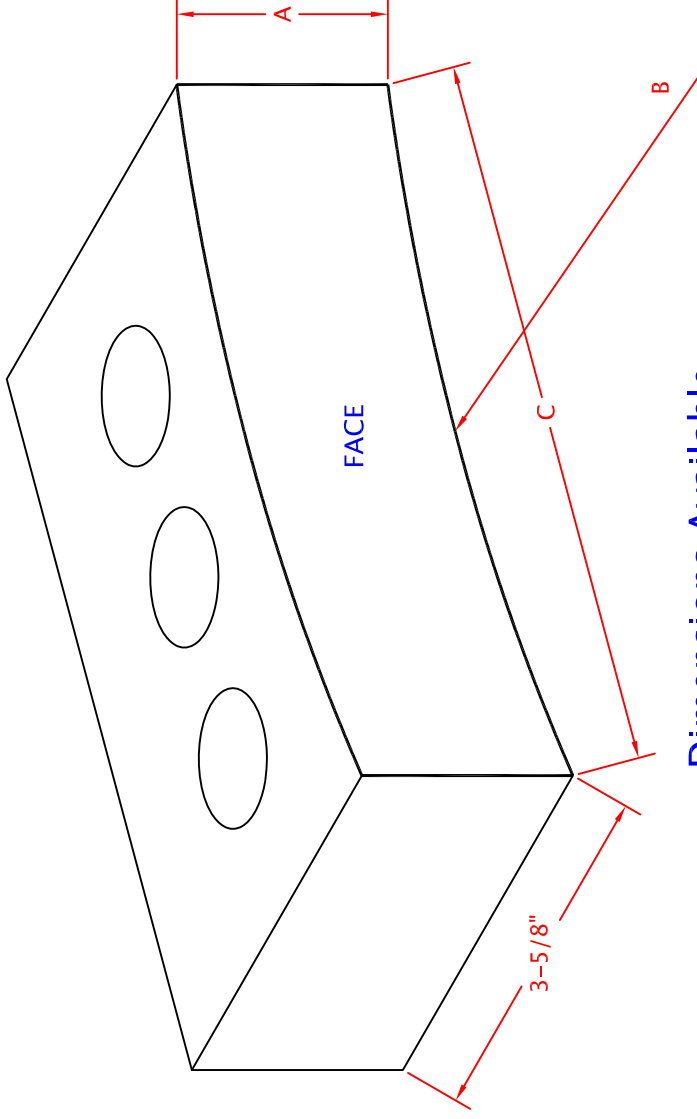
DISTRIBUTOR

DISTRIBUTOR

ENDICOTTTM

CLAY PRODUCTS

Internal Radial



Dimensions Available

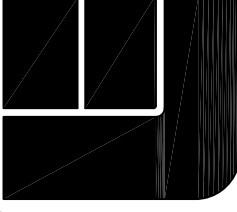
A - 2-1/4", 2-13/16", 3-5/8", 7-5/8"

B - Customers choice

C - Length dependent on radius and number of units desired per course

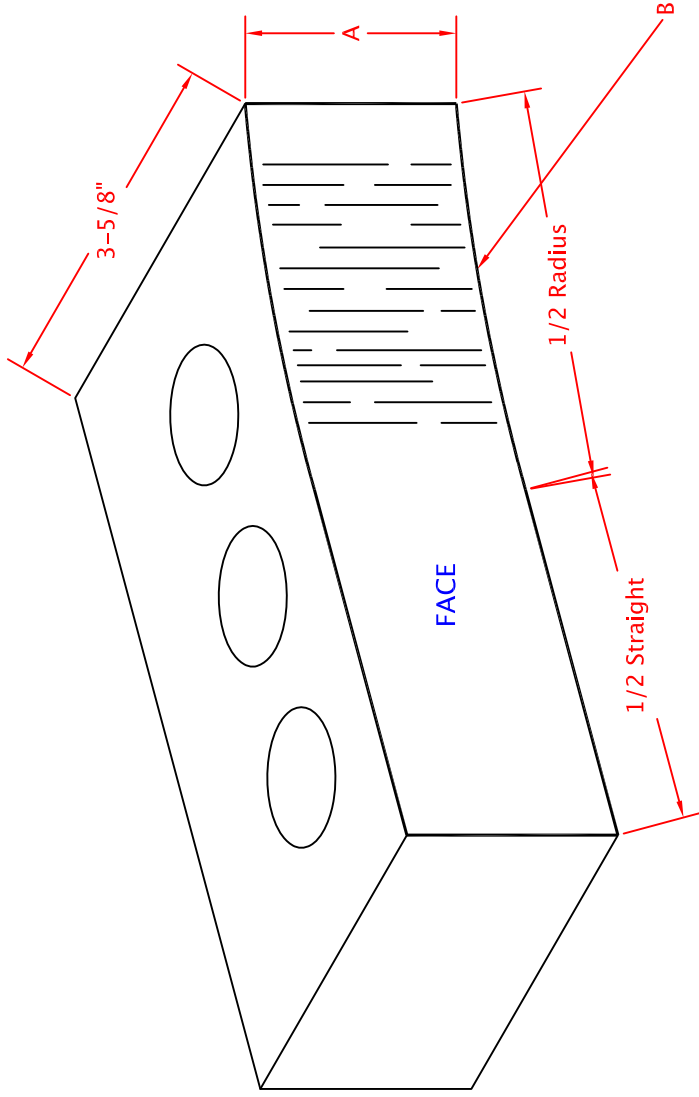
4' or less radius on modulars and 6' or less on normans requires radial starters
8' or above on modulars and 12' or above on normans require no radial

Coring May Vary

	QUANTITY	
	TEXTURE	DATE
	JOB	
	DISTRIBUTOR	

ENDICOTT™ CLAY PRODUCTS

Internal Radial Starter



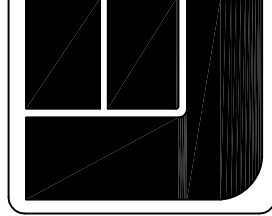
Dimensions Available

A – 2-1/4", 2-13/16", 3-5/8", 7-5/8"

B – Radius to match radial stretcher

Radial starters required on 6' or less on normals and 4' or less on modulares

Coring May Vary



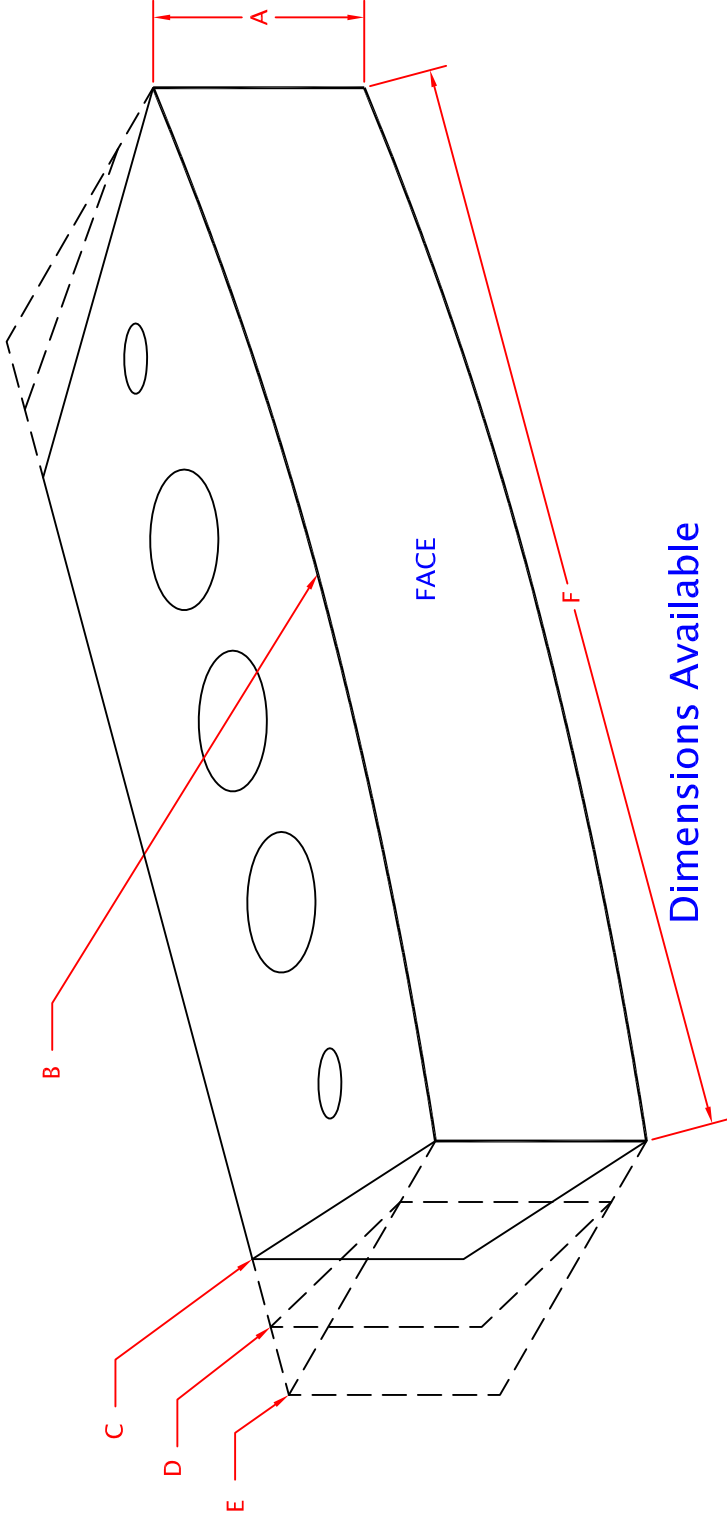
COLOR
TEXTURE
JOB
DISTRIBUTOR

QUANTITY
DATE

ENDICOTTTM CLAY PRODUCTS

P.O. Box 17 Fairbury, NE USA 68352 402/725-3315 FAX: 402/725-5804 Email: endicott@endicott.com www.endicott.com

Norman Radial



Dimensions Available

- A - 2-1/4", 2-13/16", 3-5/8", 7-5/8"
- B - Customers choice
- C - 6' or less radius requires slanted ends and radial starters
- D - 6' to 8' radius requires chamfered ends
- E - 8' to 12' radius will be manufactured with square ends*
- F - Length dependent on radius and number of units desired per course

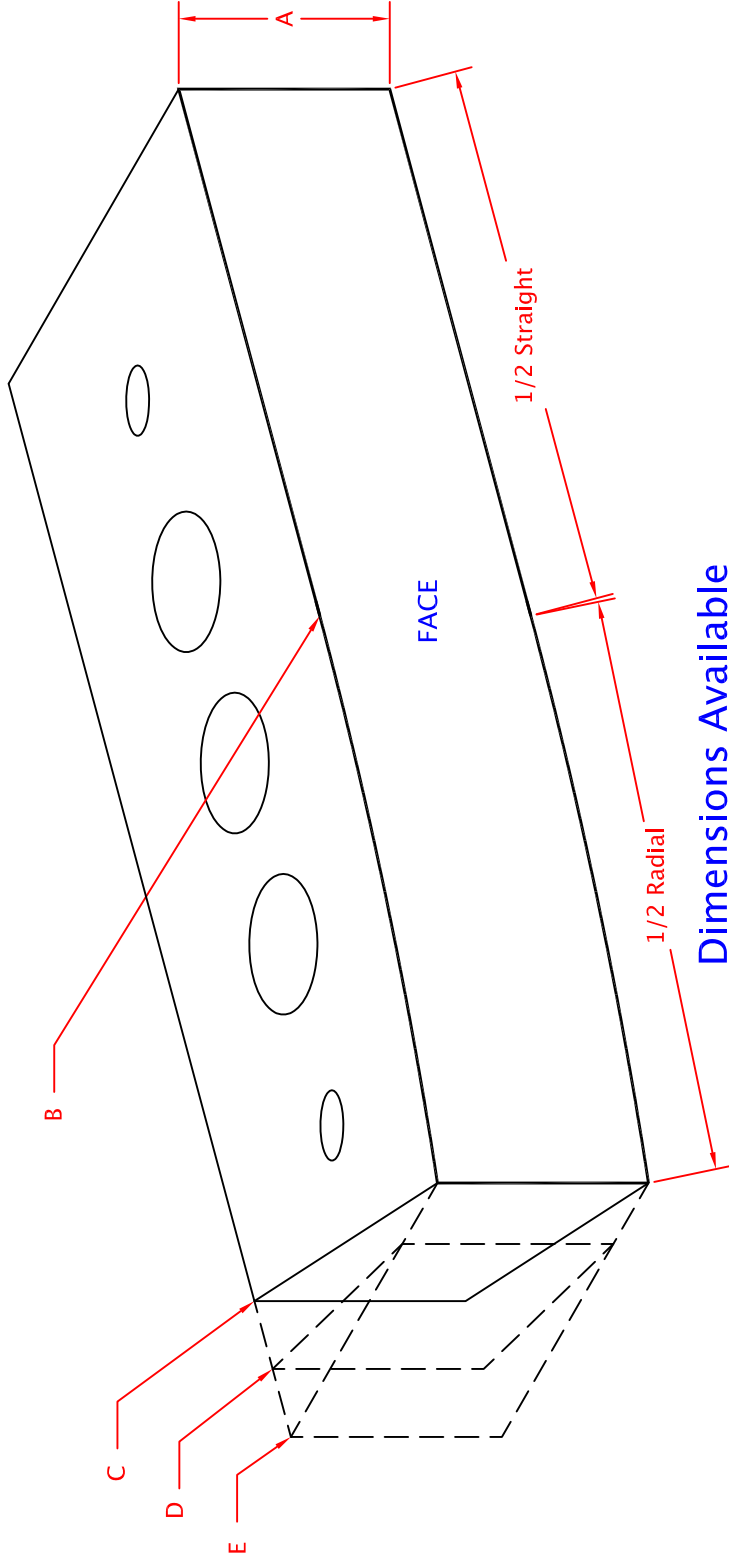
Coring May Vary

* 12' or above radius requires no radial

	QUANTITY
	DATE
	JOB
	DISTRIBUTOR

ENDICOTT™ CLAY PRODUCTS

Norman Radial Starter



Dimensions Available

- A – 2-1/4", 2-13/16", 3-5/8", 7-5/8"
- B – Radius to match radial stretcher
- C – 6' or less radius requires slanted ends and radial starters
- D – 6' to 8' radius requires chamfered ends
- E – 8' to 12' radius will be manufactured with square ends*

Coring May Vary

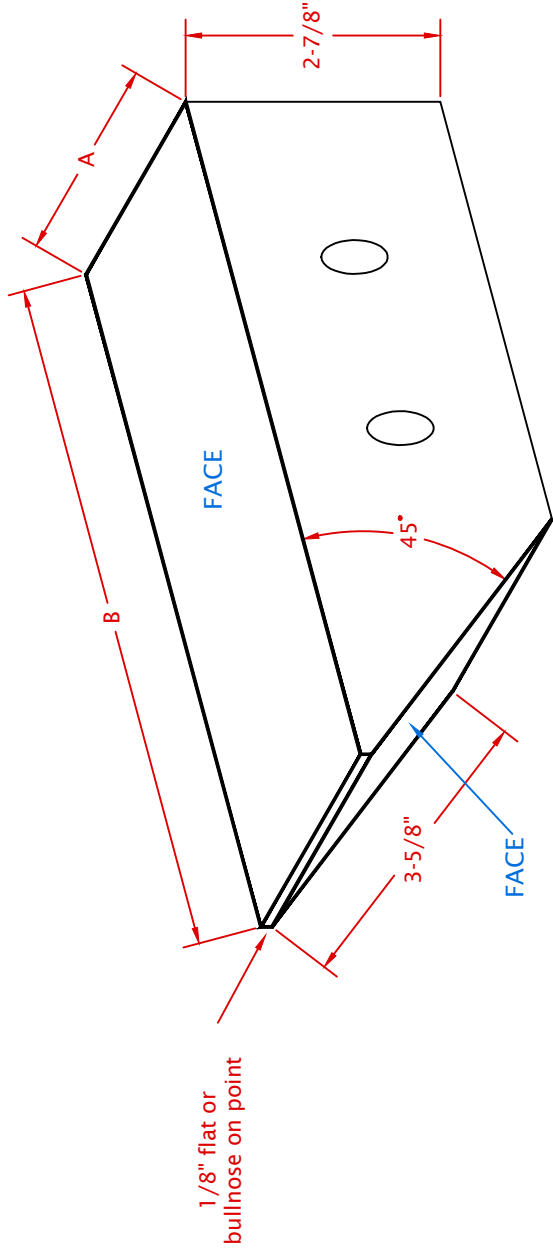
* 12' or above radius requires no radial

	QUANTITY
	DATE
	JOB
	DISTRIBUTOR

ENDICOTT™ CLAY PRODUCTS

P.O. Box 17 Fairbury, NE USA 68352 402/729-3315 FAX: 402/729-5804 Email: endicott@endicott.com www.endicott.com

45° External Corner



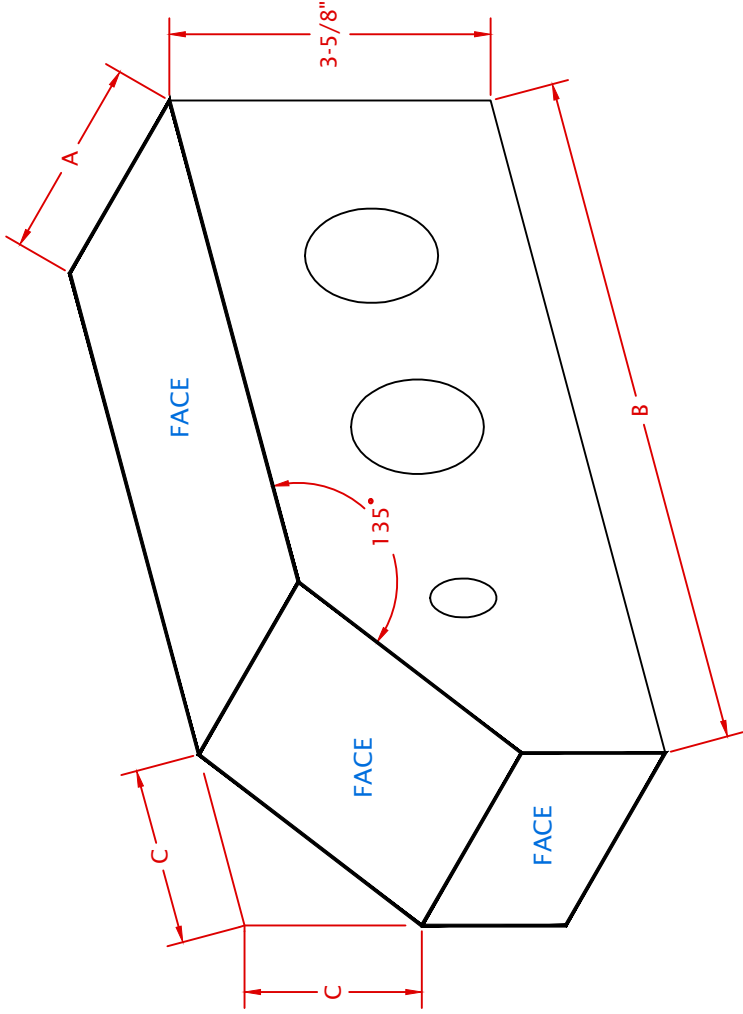
Dimensions Available

- A - 2-1/4", 2-13/16", 3-5/8", 7-5/8"
 B - 7-5/8", 9-5/8", 11-5/8"

Coring May Vary

	COLOR	QUANTITY
	TEXTURE	DATE
	JOB	
	DISTRIBUTOR	

135° Chamfered Sill




Dimensions Available

A - 2-1/4", 2-13/16", 3-5/8", 7-5/8", 11-5/8"

B - 7-5/8", 9-5/8", 11-5/8"

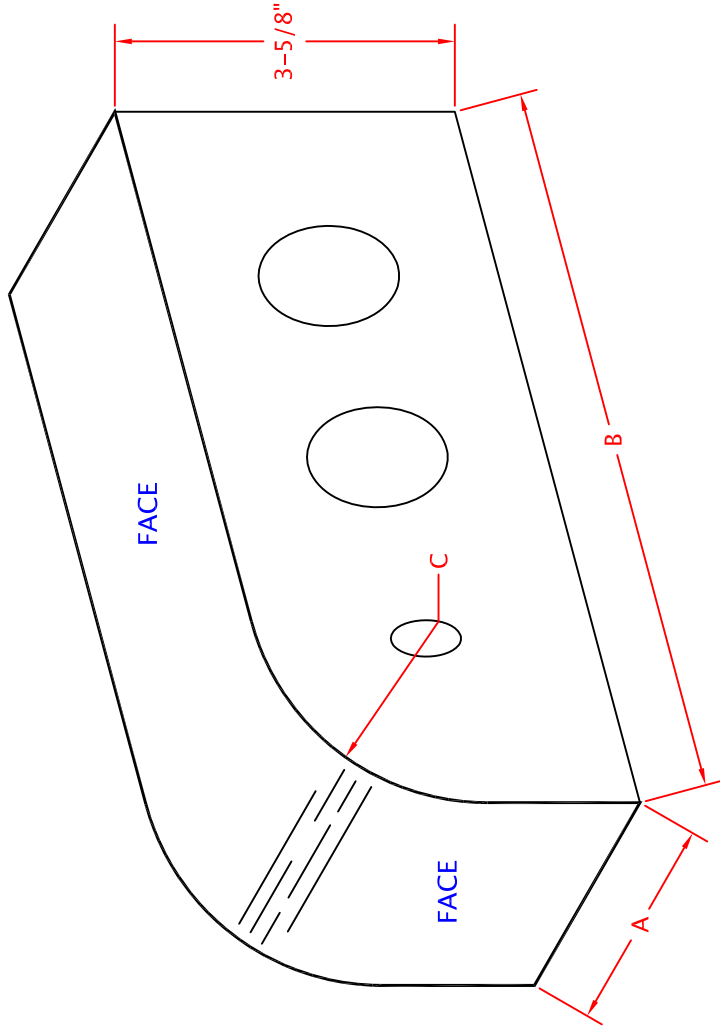
C - Customers choice

Coring May Vary

	COLOR	QUANTITY
	TEXTURE	DATE
	JOB	
	DISTRIBUTOR	

ENDICOTT™ CLAY PRODUCTS

Bullnose Rolok



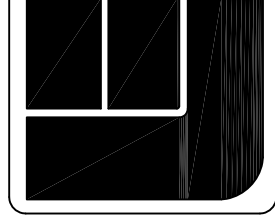
Dimensions Available

A - 2-1/4", 2-13/16", 3-5/8", 7-5/8", 11-5/8"

B - 3-5/8", 7-5/8", 9-5/8", 11-5/8"

C - Customers choice

Coring May Vary



COLOR

TEXTURE

JOB

DISTRIBUTOR

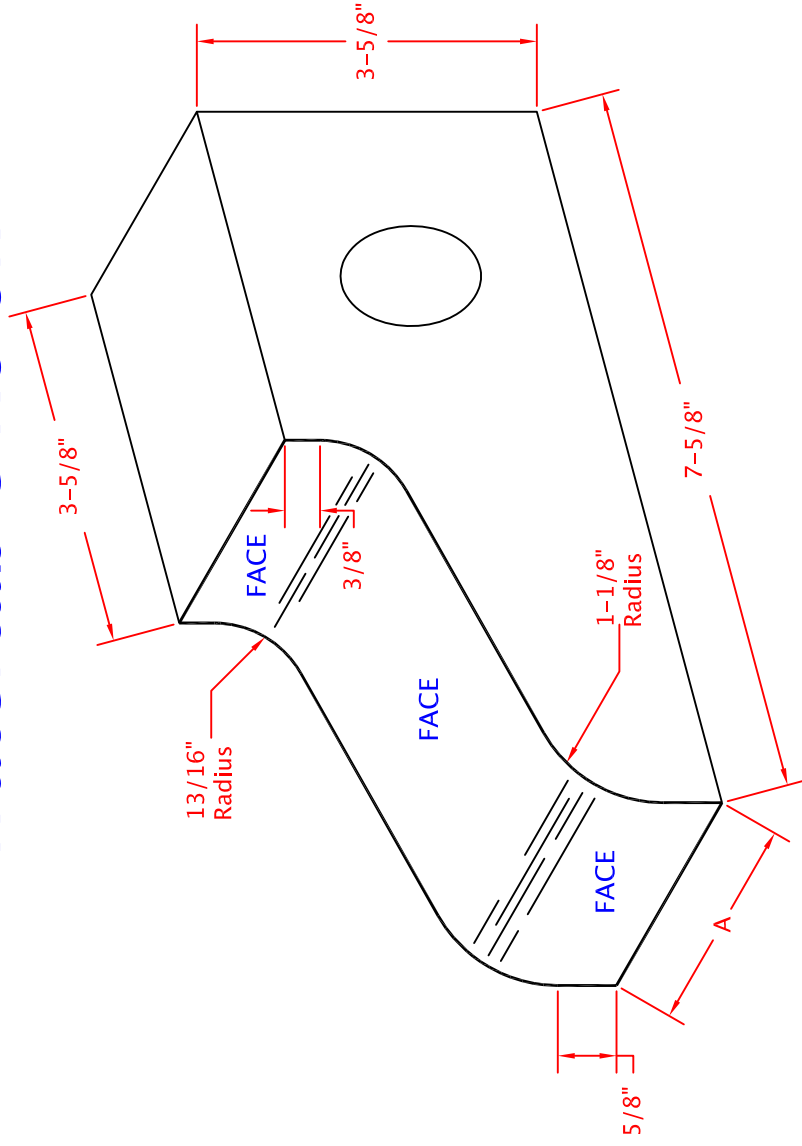
QUANTITY

DATE

ENDICOTTTM CLAY PRODUCTS

P.O. Box 17 Fairbury, NE USA 68352 402/725-3315 FAX: 402/725-5804 Email: endicott@endicott.com www.endicott.com

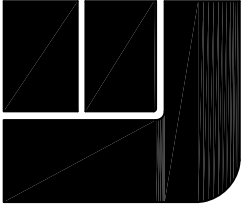
Watertable Rolok



Dimensions Available

A – 2-1/4", 2-13/16", 3-5/8", 7-5/8"

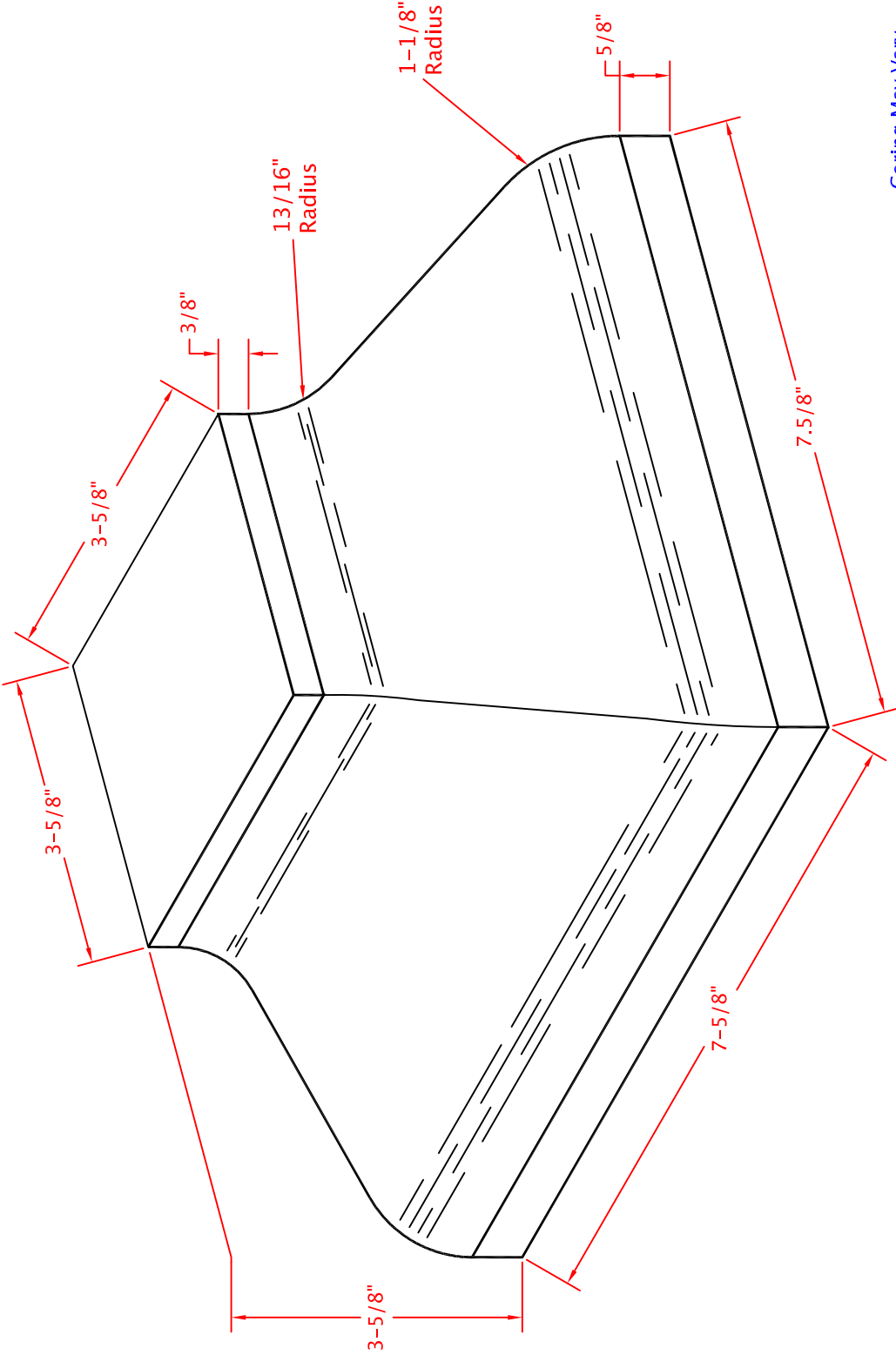
Coring May Vary

	QUANTITY
	DATE
	JOB
DISTRIBUTOR	

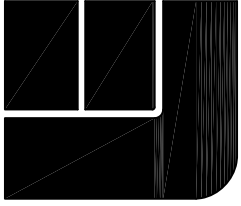
ENDICOTT™ CLAY PRODUCTS

P.O. Box 17 Fairbury, NE USA 68352 402/729-3315 FAX: 402/729-5804 Email: endicott@endicott.com www.endicott.com

Watertable Rolok Corner



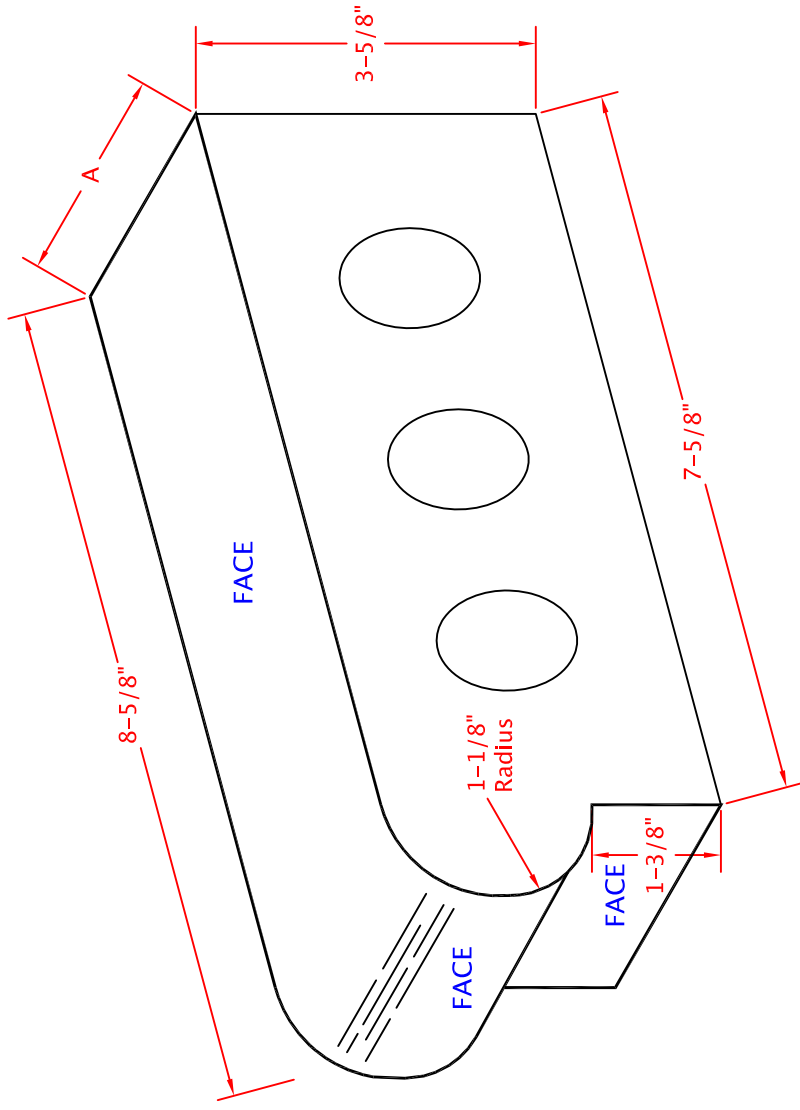
Coring May Vary

	COLOR	QUANTITY
	TEXTURE	DATE
	JOB	
	DISTRIBUTOR	

ENDICOTT™ CLAY PRODUCTS

P.O. Box 17 Fairbury, NE USA 68352 402/729-3315 FAX: 402/729-5804 Email: endicott@endicott.com www.endicott.com

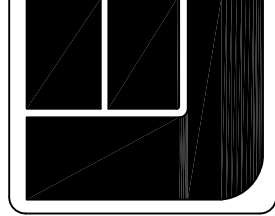
Coping Rolok



Dimensions Available

A – 2-1/4", 2-13/16", 3-5/8", 7-5/8"

Coring May Vary



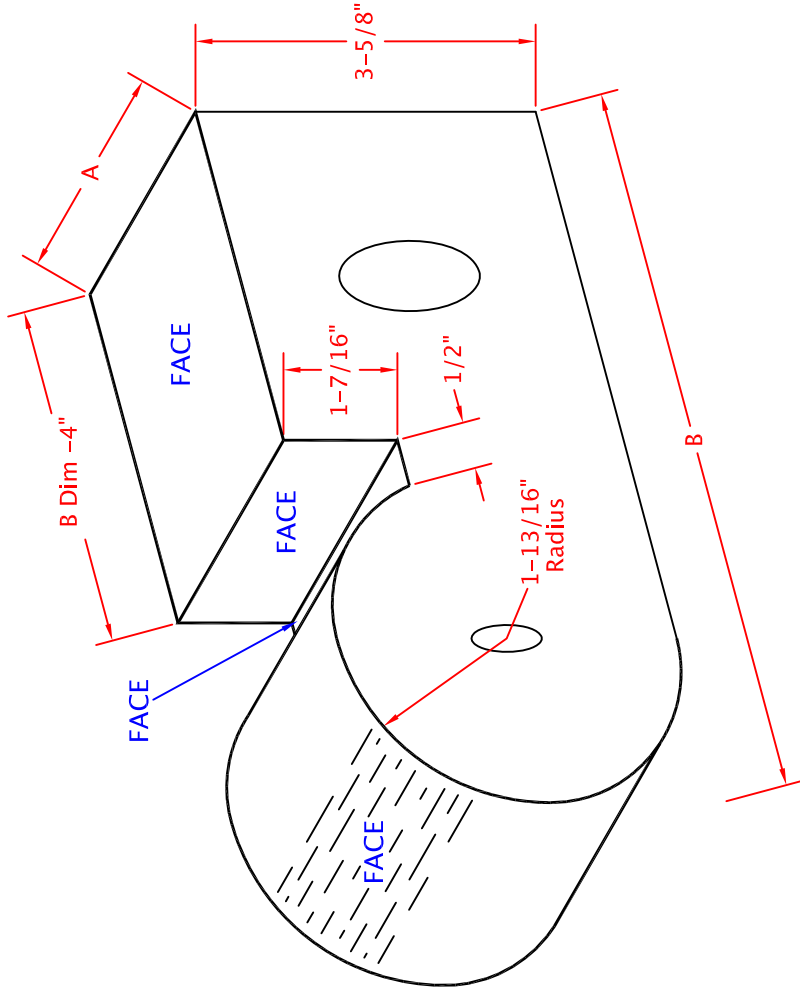
COLOR
TEXTURE
JOB
DISTRIBUTOR

QUANTITY
DATE

ENDICOTTTM CLAY PRODUCTS

P.O. Box 17 Fairbury, NE USA 68352 402/725-3315 FAX: 402/725-5804 Email: endicott@endicott.com www.endicott.com

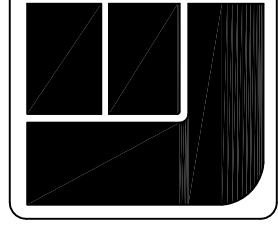
Hinge Brick



Dimensions Available

A - 2-1/4", 2-5/8", 2-13/16", 3-5/8", 7-5/8"
 B - 7-5/8", 9-5/8", 11-5/8"

Coring May Vary



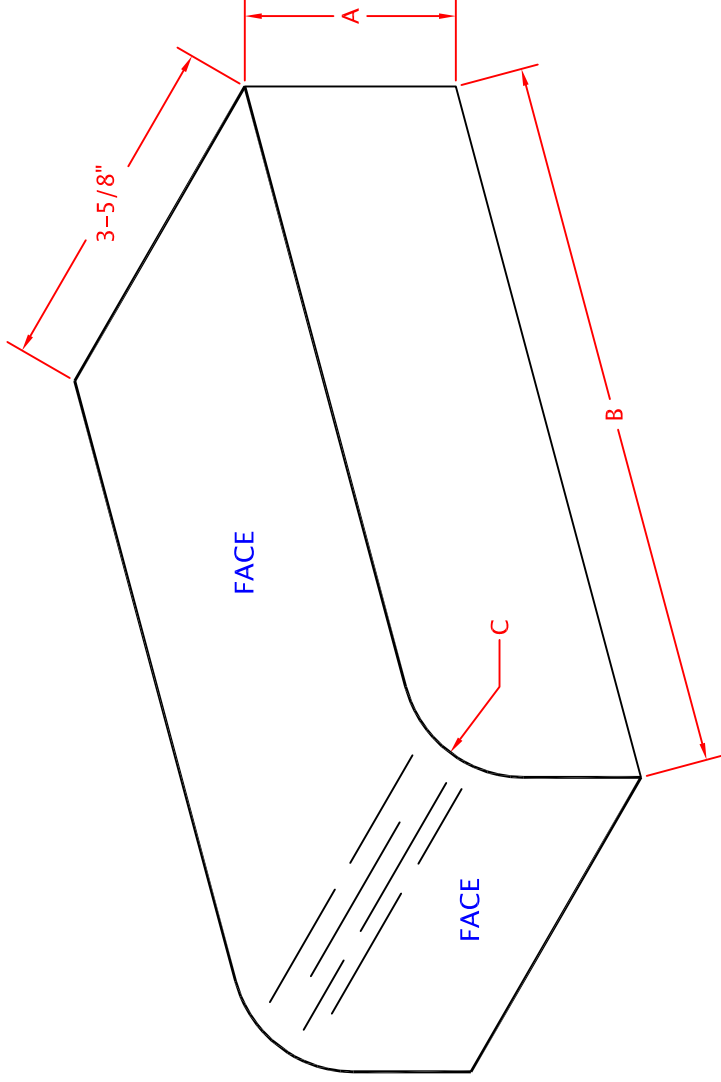
COLOR
 TEXTURE
 JOB
 DISTRIBUTOR

QUANTITY
 DATE

ENDICOTT™ CLAY PRODUCTS

P.O. Box 17 Fairbury, NE USA 68332 402/729-3315 FAX: 402/729-5804 Email: endicott@endicott.com www.endicott.com

Bullnose Paver



Dimensions Available

A - 1-1/4", 1-5/8", 2-1/4", 2-5/8"

B - 7-5/8", 11-5/8"

C - Customers choice

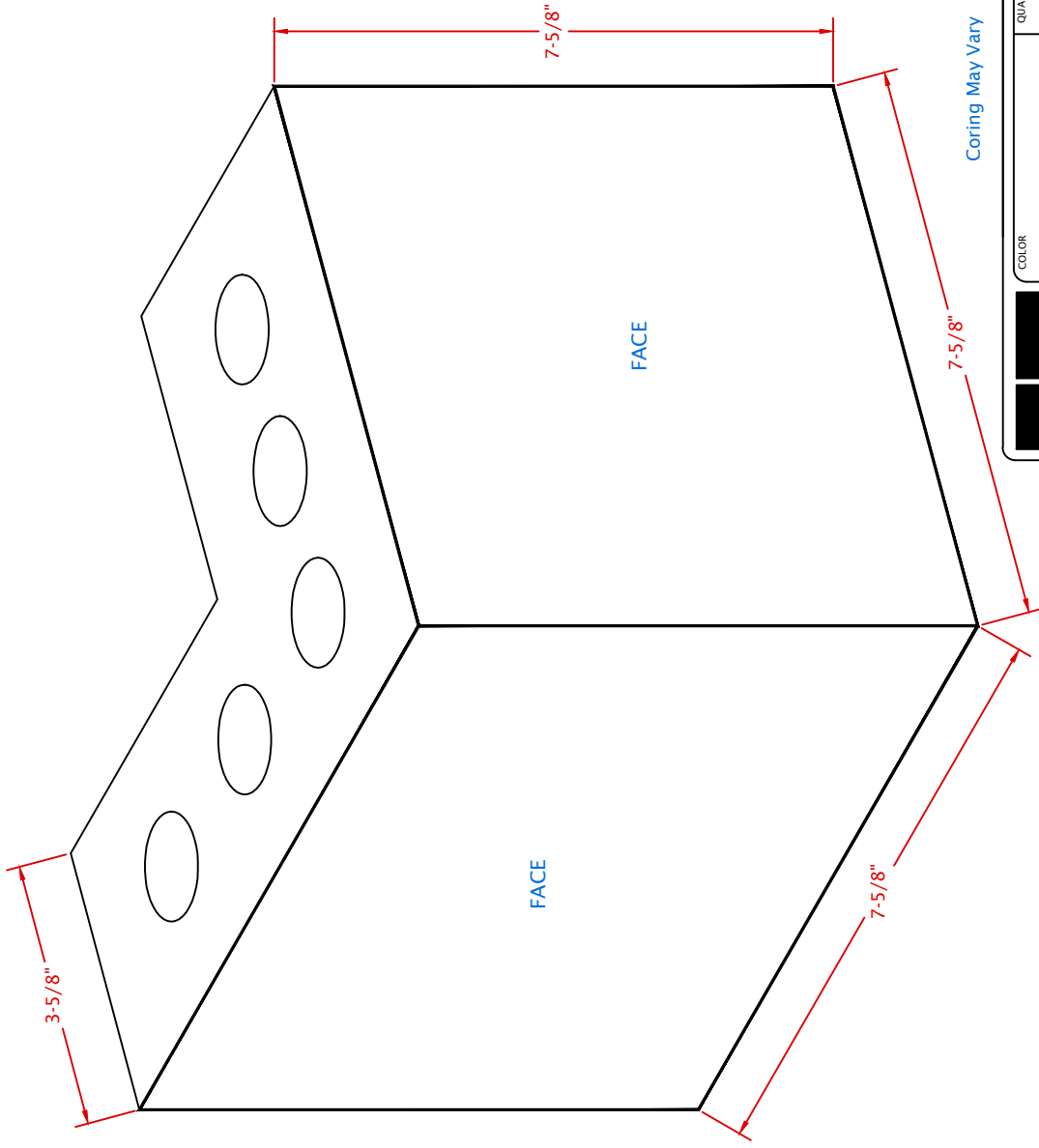
Coring May Vary

COLOR	QUANTITY
TEXTURE	DATE
JOB	
DISTRIBUTOR	

ENDICOTT™ CLAY PRODUCTS

P.O. Box 17 Fairbury, NE USA 68352 402/725-3315 FAX: 402/725-5804 Email: endicott@endicott.com www.endicott.com

90° Triple Brick Corner

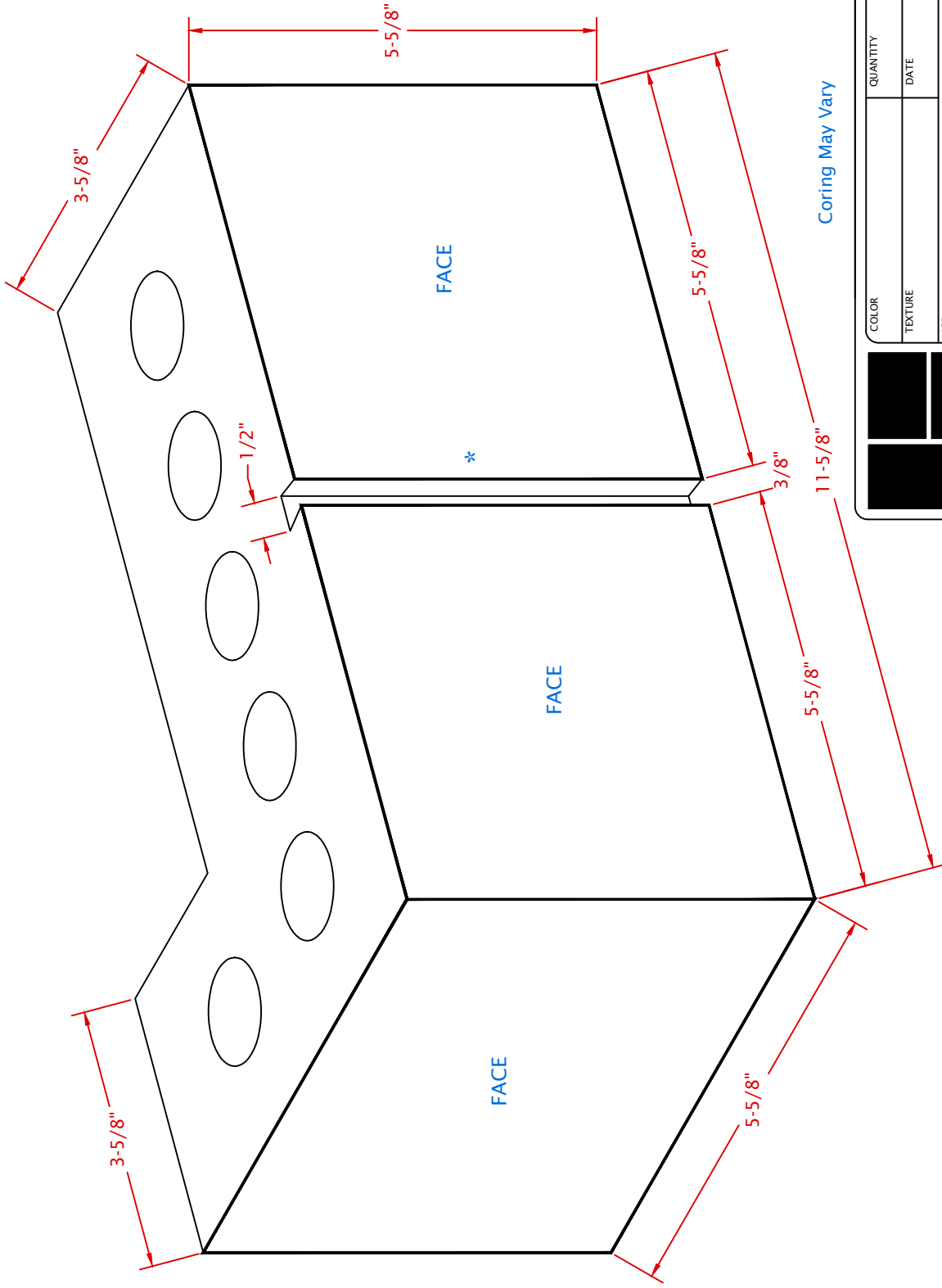



COLOR	QUANTITY
TEXTURE	DATE
JOB	
DISTRIBUTOR	

ENDICOTT™ CLAY PRODUCTS

P.O. Box 17 Fairbury, NE USA 68352 402/729-3315 FAX 402/729-5804 Email endicott@endicott.com www.endicott.com

90° Giant Norman Corner

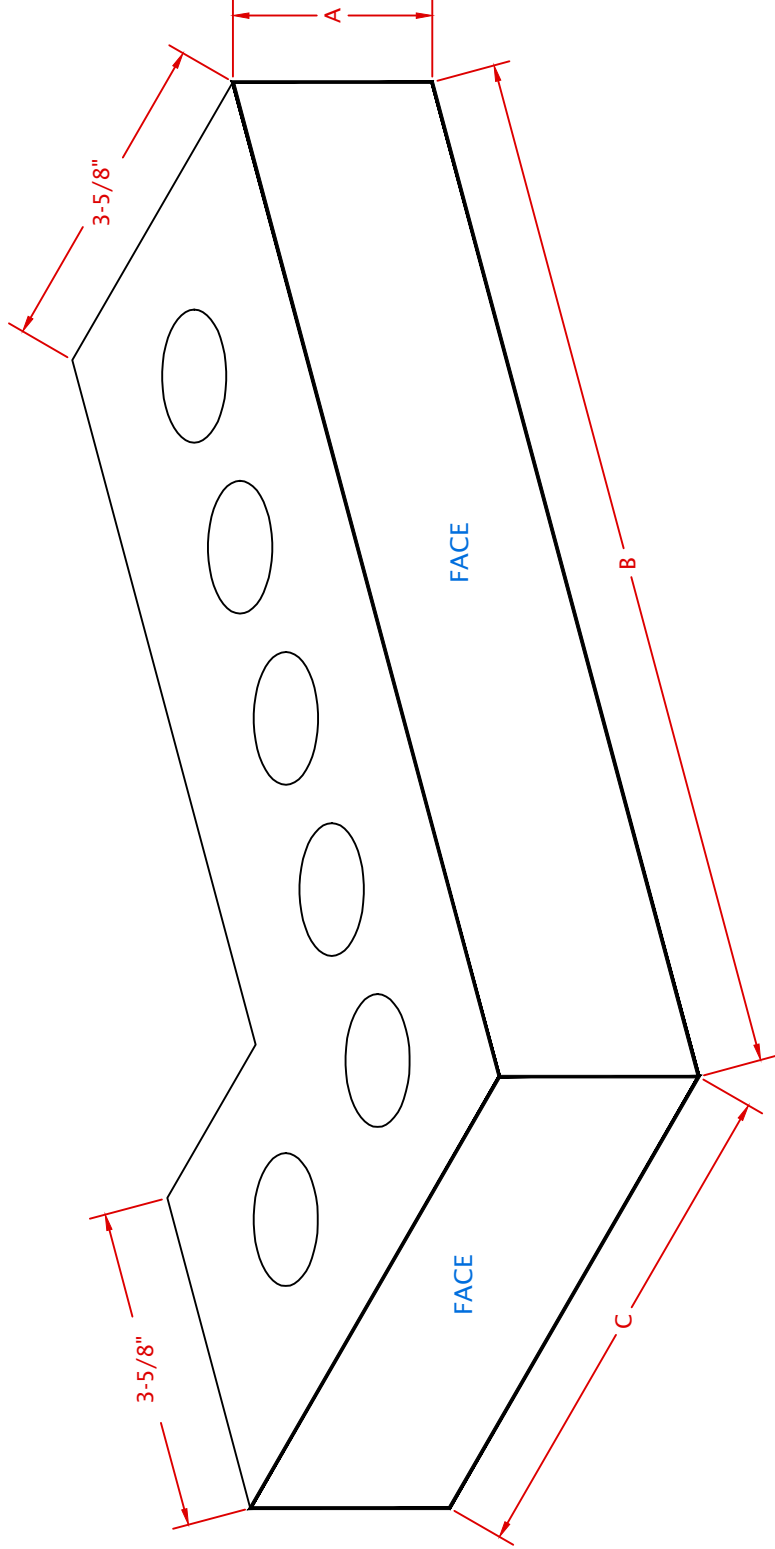


	QUANTITY	
	TEXTURE	DATE
	JOB	
	DISTRIBUTOR	

ENDICOTT™ CLAY PRODUCTS

* Center slot optional

90° L Corner




Dimensions Available

A - 2-1/4", 2-13/16", 3-5/8"

B - 5-5/8" - 7-5/8", 11-5/8"

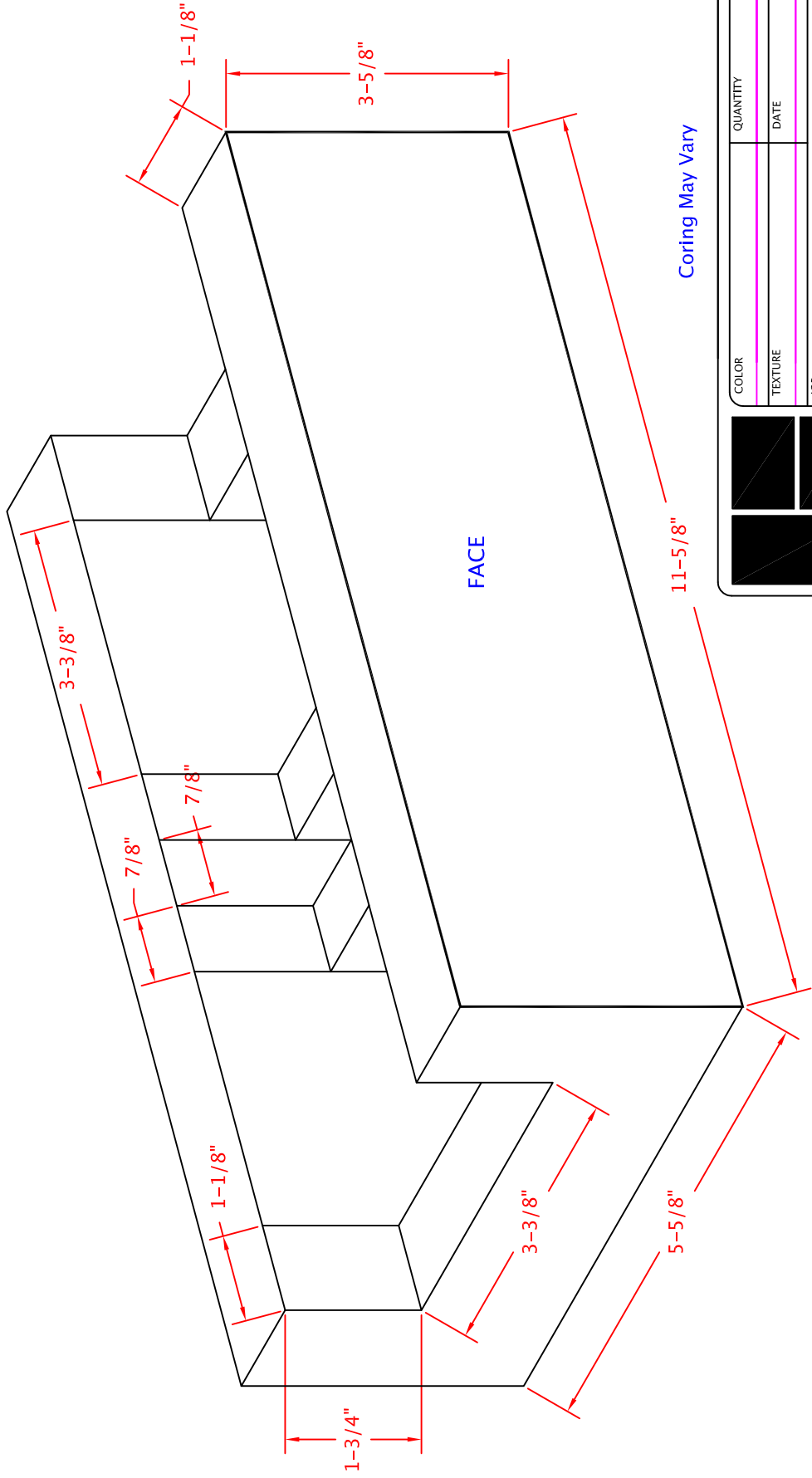
C - 5-5/8", 7-5/8"

Coring May Vary

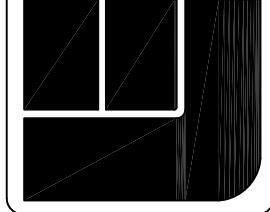
	COLOR	QUANTITY
	TEXTURE	DATE
	JOB	
	DISTRIBUTOR	

ENDICOTT™ CLAY PRODUCTS

6" Thru-The-Wall Bond Beam



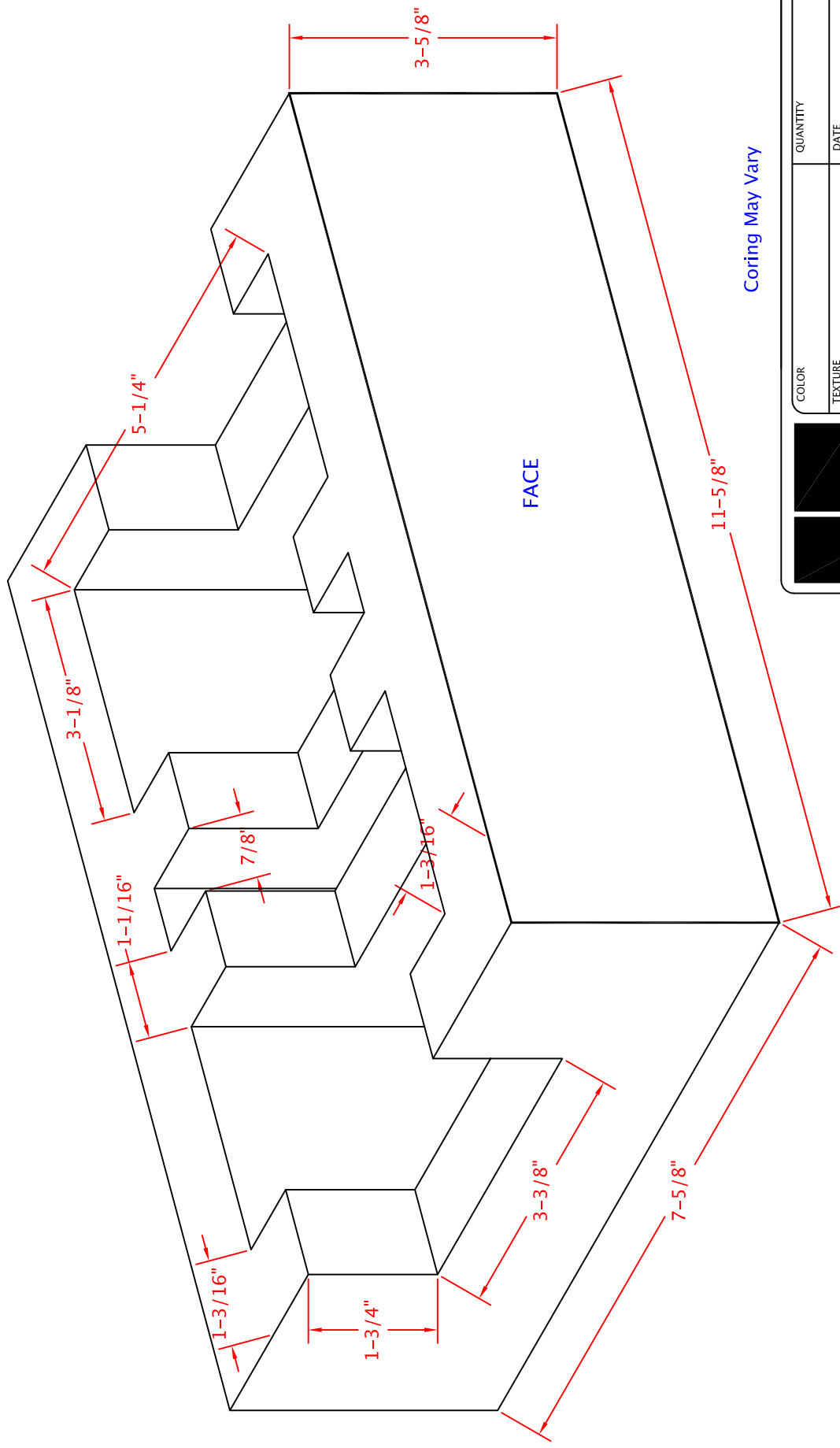
Coring May Vary



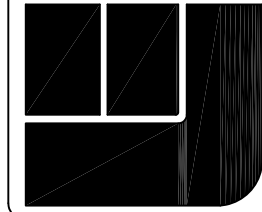
COLOR	QUANTITY
TEXTURE	DATE
JOB	
DISTRIBUTOR	

ENDICOTT™ CLAY PRODUCTS

8" Thru-The-Wall Bond Beam



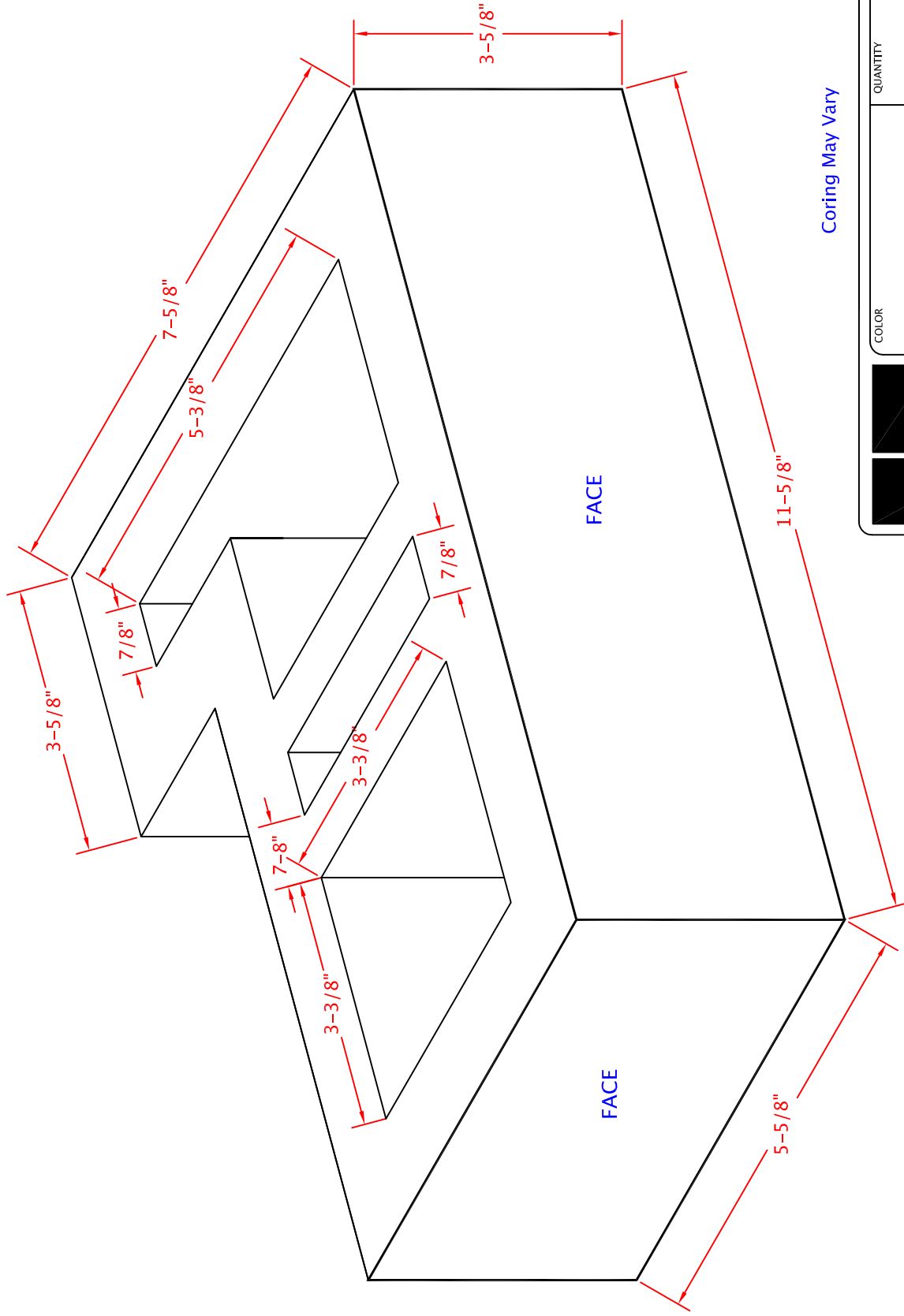
Coring May Vary



COLOR	QUANTITY
TEXTURE	DATE
JOB	
DISTRIBUTOR	

ENDICOTT™ CLAY PRODUCTS

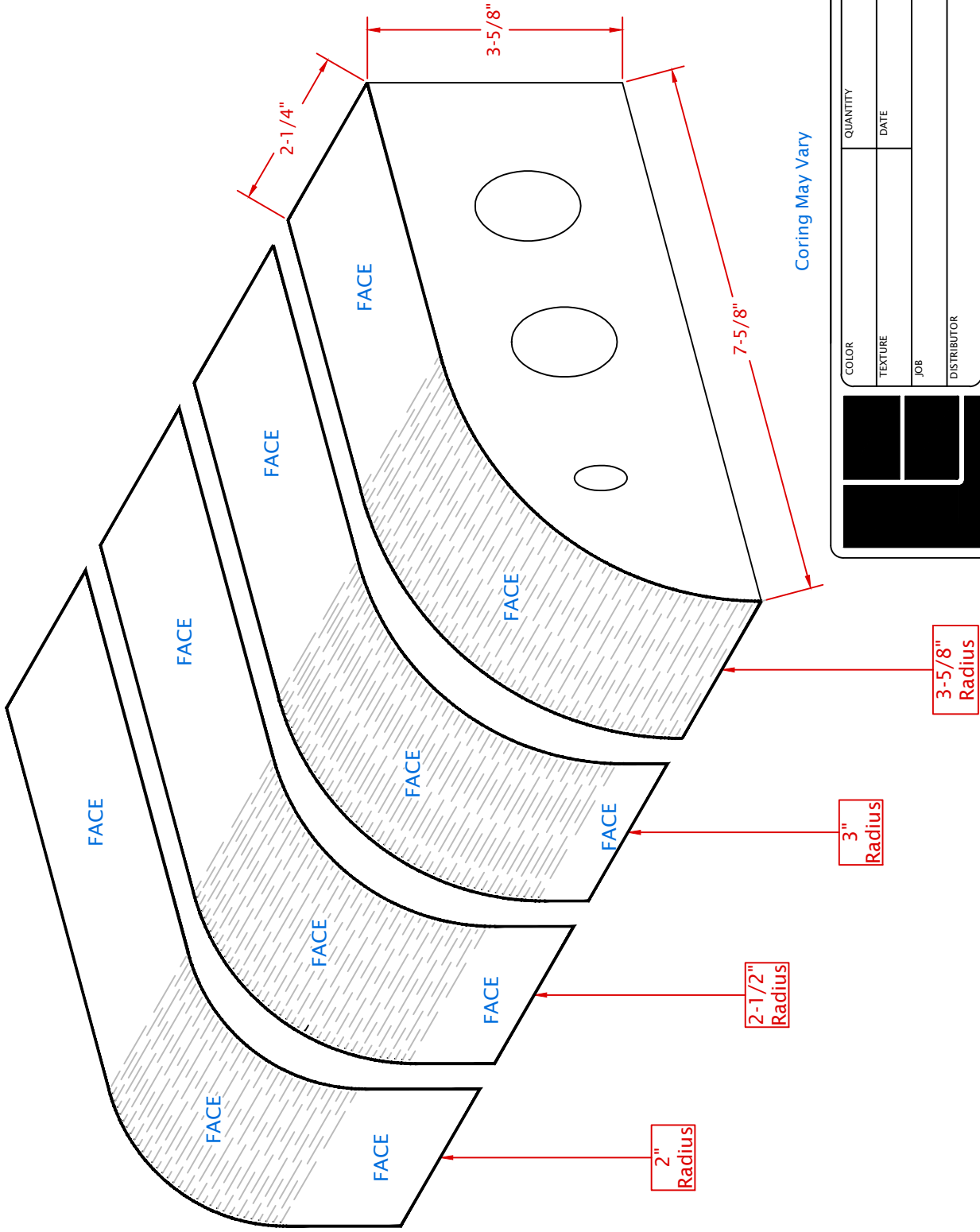
8" Thru-The-Wall Corner Unit

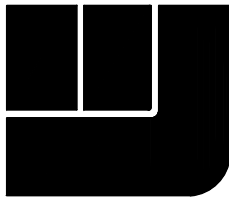


COLOR	QUANTITY
TEXTURE	DATE
JOB	
DISTRIBUTOR	

ENDICOTT™ CLAY PRODUCTS

Modular Bullnose Rowlock

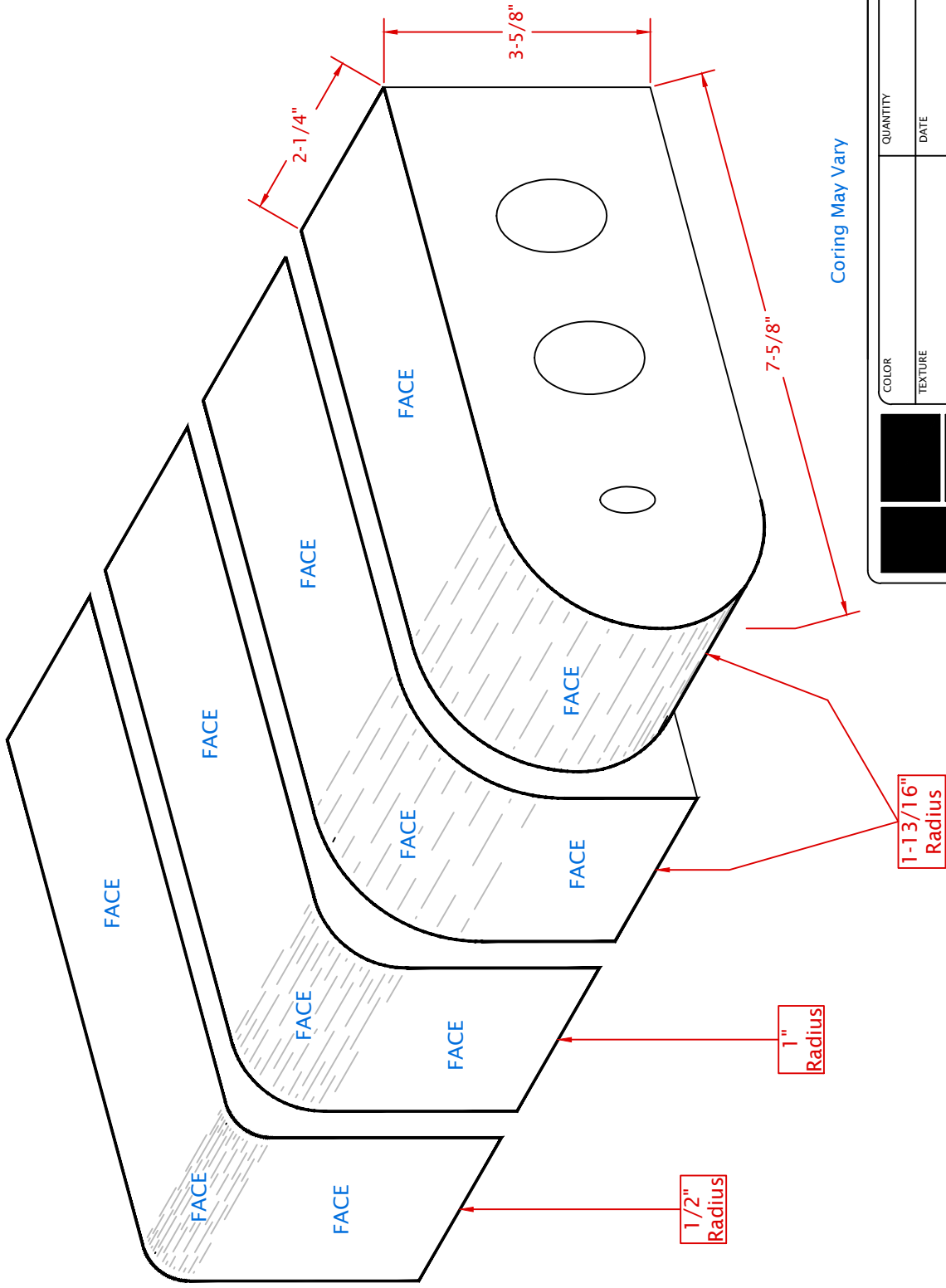


	COLOR	QUANTITY
	TEXTURE	DATE
	JOB	
	DISTRIBUTOR	

ENDICOTT™ CLAY PRODUCTS

P.O. Box 17 Fairbury, NE USA 68352 402/729-3315 FAX: 402/729-5804 Email: endicott@endicott.com www.endicott.com

Modular Bullnose Rowlock

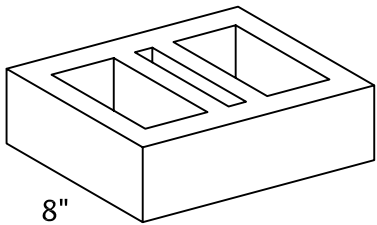
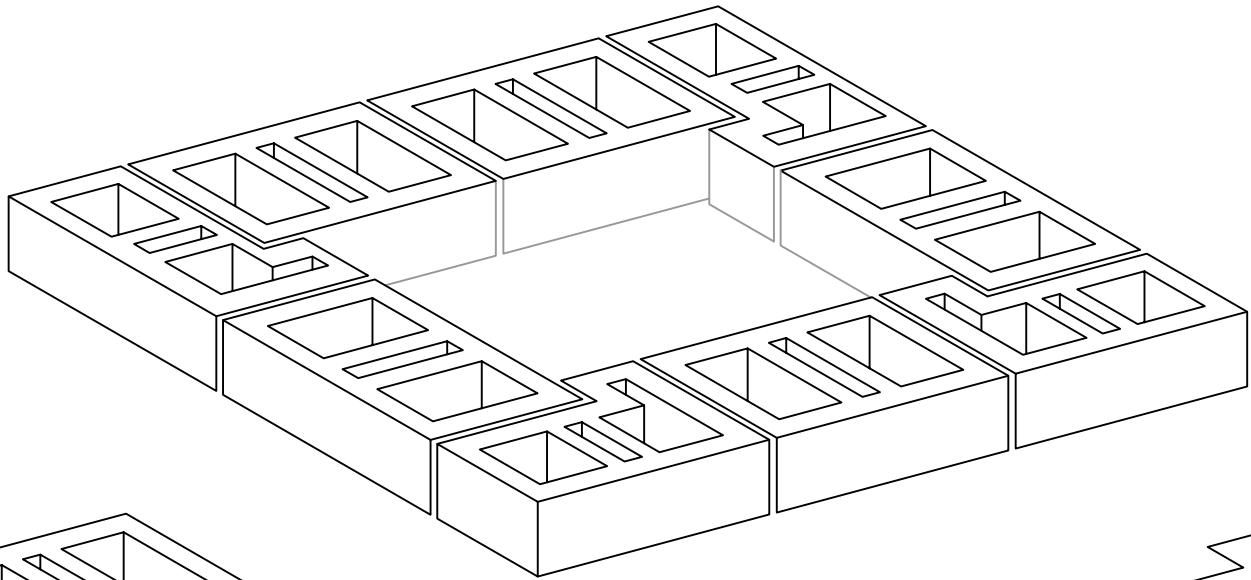


COLOR	QUANTITY
	DATE
TEXTURE	JOB
DISTRIBUTOR	

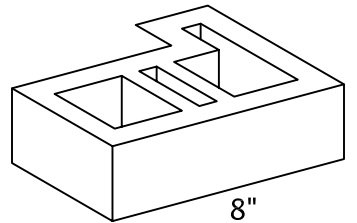
ENDICOTT™ CLAY PRODUCTS

P.O. Box 17 Fairbury, NE USA 68332 402/729-3315 FAX: 402/729-5804 Email: endicott@endicott.com www.endicott.com

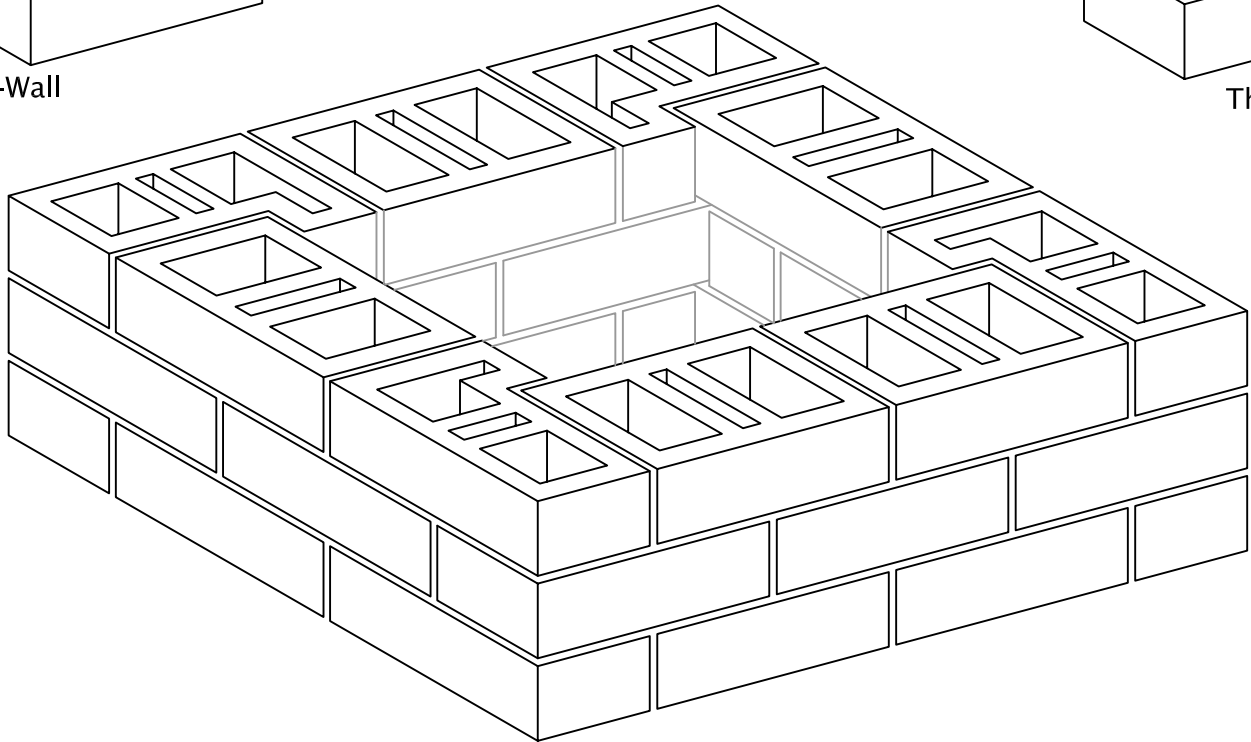
8" T-T-W Bonded Corner Detail



8"
Thru-The-Wall



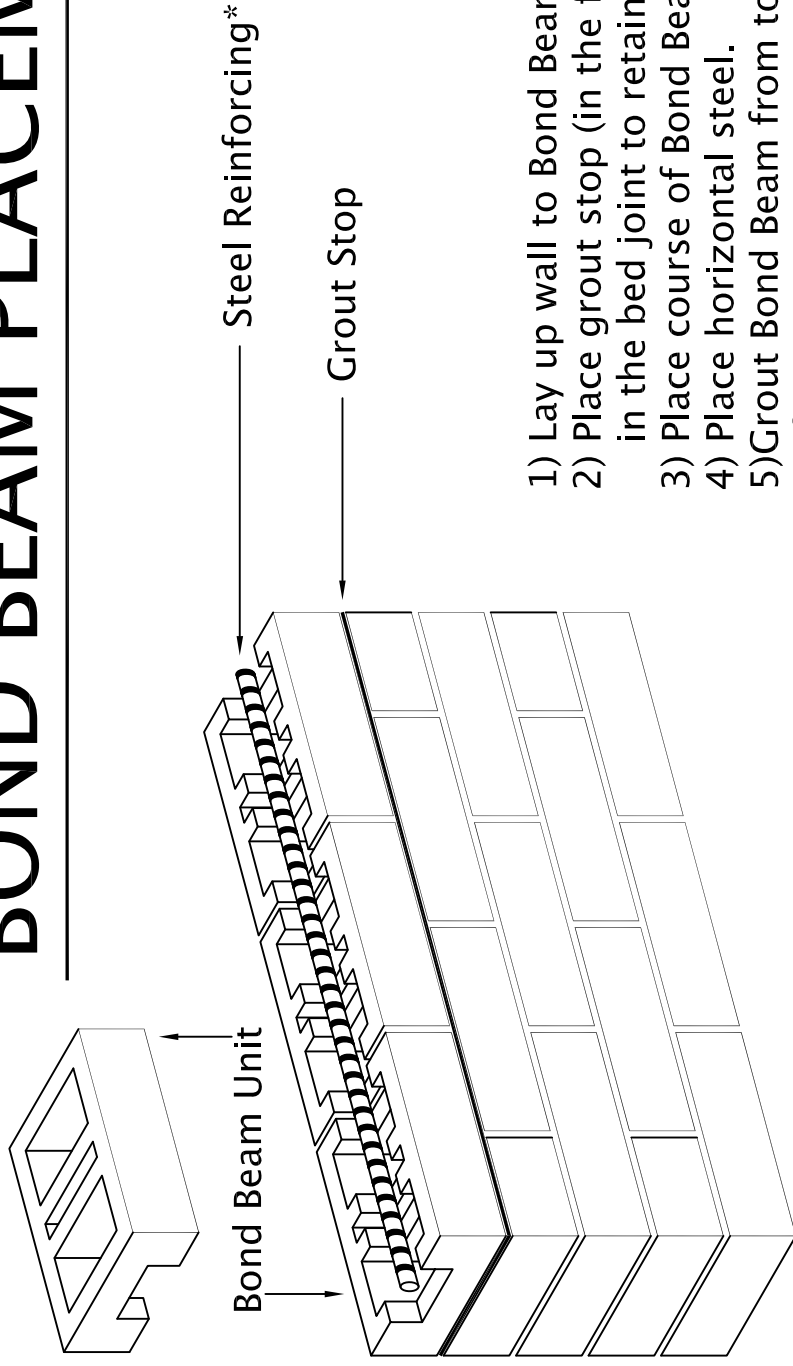
8"
Thru-The-Wall
Corner



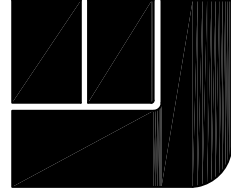
Coring May Vary

	COLOR	QUANTITY
	TEXTURE	DATE
	JOB	
	DISTRIBUTOR	
ENDICOTT™ CLAY PRODUCTS		

BOND BEAM PLACEMENT



- 1) Lay up wall to Bond Beam height.
- 2) Place grout stop (in the form of steel or nylon mesh) in the bed joint to retain grout in Bond Beam units.
- 3) Place course of Bond Beam units.
- 4) Place horizontal steel.
- 5) Grout Bond Beam from top.
- 6) If 8" deep Bond Beam is required, complete steps 1 - 4 above. (Omit step 5.)
- 7) Lay second course of Bond Beam units in inverted position.
- 8) Grout Bond Beam form top.

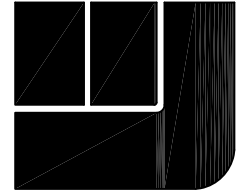
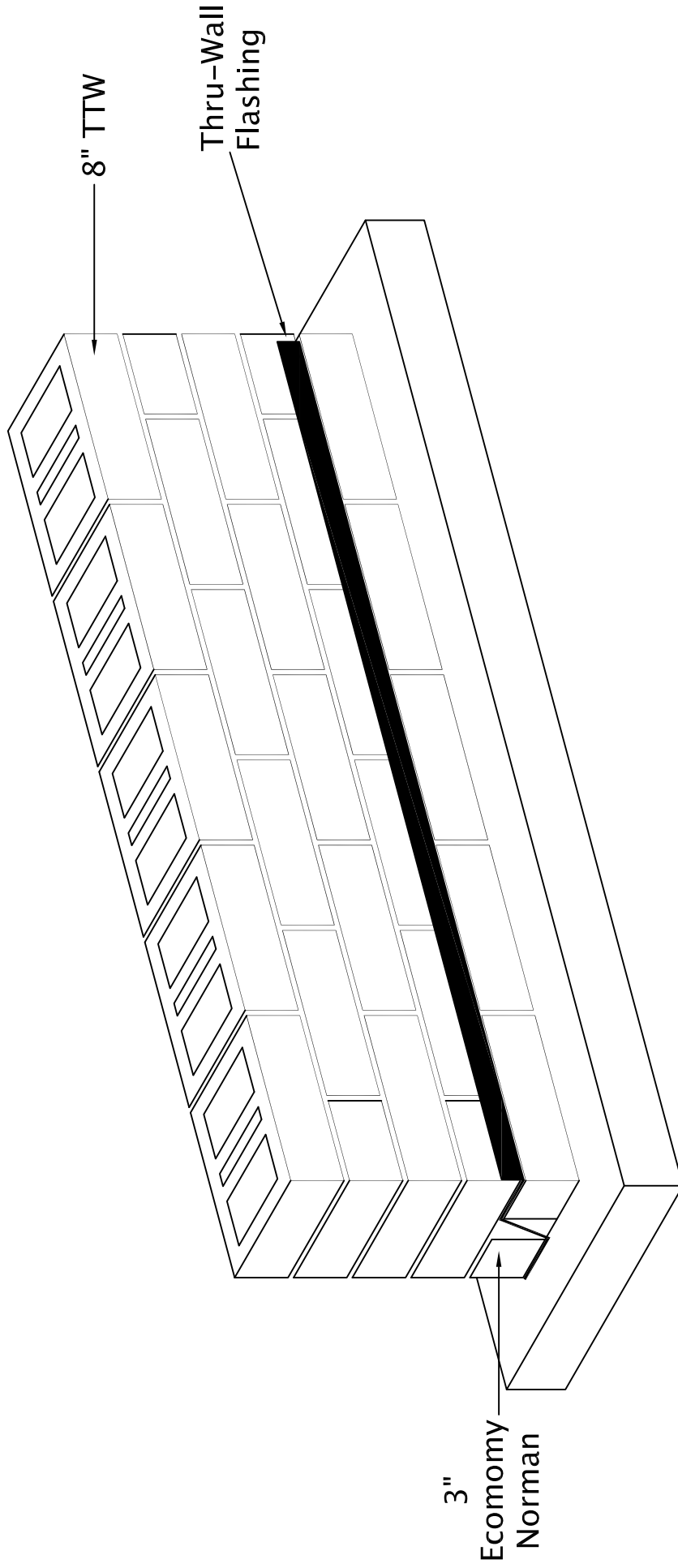


ENDICOTTTM
CLAY PRODUCTS

P.O. Box 17 Fairbury, Nebraska USA 68352
402/729-3315 FAX: 402/729-5804
Email: endicott@endicott.com www.endicott.com

* Note: Steel reinforcing size and placement to be determined by structural engineer.

FLASHING DETAIL FOR 8" TTTW

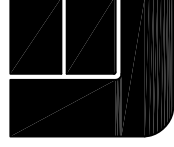
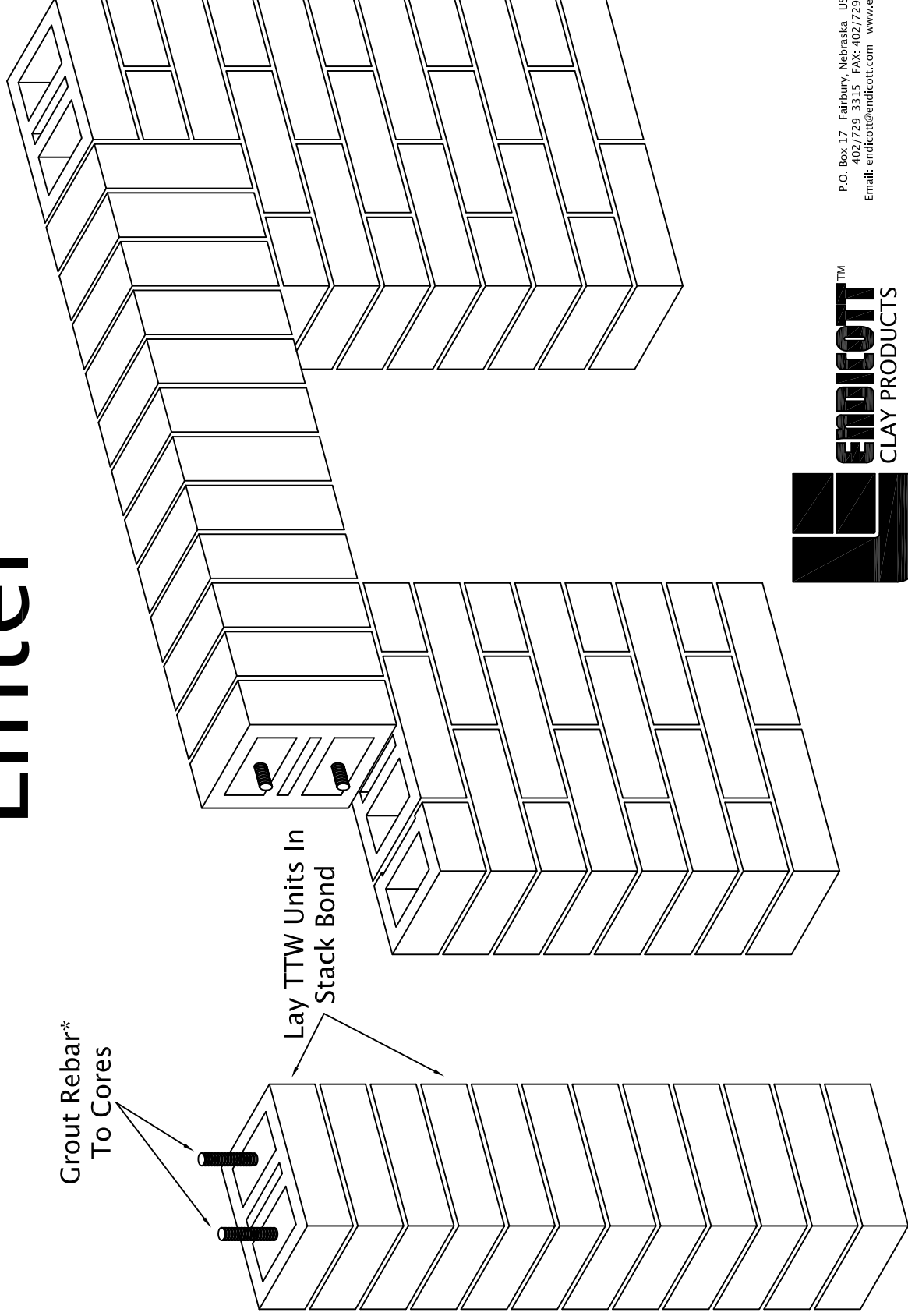


ENDICOTTTM
CLAY PRODUCTS

P.O. Box 17 Fairbury, Nebraska USA 68352
402/729-3315 FAX: 402/729-5804
Email: endicott@endicott.com www.endicott.com

6" or 8" Thru-Wall Pre-Fab

Lintel



ENDICOTTTM
CLAY PRODUCTS

P.O. Box 17 Fairbury, Nebraska USA 68352
402/729-3315 FAX: 402/729-5804
Email: endicott@endicott.com www.endicott.com

*NOTE: Size and amount of reinforcing steel, as well as span to be determined by structural engineer.

In 1920, rich mineral deposits were discovered in Jefferson County, Nebraska. These rich minerals help give Endicott brick their unmatched color and high sheen. Across the North America, Endicott's collection of face brick, thin brick, pavers, tile and special shapes are setting the solid world in motion.

For other literature, samples and the name of your nearest distributor, contact Endicott today.



Endicott Clay Products Company

P.O. Box 17
Fairbury, Nebraska USA 68352
402-729-3315 FAX: 402-729-5804

endicott.com

Metropolitan State Hospital

Color: Dark Ironspot, Desert Ironspot Dark
Texture: Velour
Size: Shapes
Location: Norwalk, CA